

## desaliQ basic filling module

### Intended use

The desaliQ basic filling module is designed for filling heating circuits in mobile as well as temporary stationary use.

In combination with the cartridges below, the desaliQ basic filling module can be used for quality-monitored full demineralisation or softening of raw water for the initial filling or make-up water feed of heating systems:

- Mixed bed cartridge desaliQ
- Softening cartridge decaliQ

The desaliQ basic filling module must **not** be used for the treatment of raw water that is to be used as drinking water.

### Function

The function of the desaliQ basic filling module is based on the well-proven processes of softening or demineralisation.

The desaliQ basic filling module works with the following automatically monitored operating modes:

- Filling
  - Demineralisation
  - Softening

The desaliQ basic filling module measures the conductivity (LF), the temperature and the flow rate.

The remaining capacity of the cartridge is calculated during softening.

This allows for quality-monitored filling of the heating circuit.

Via the integrated solenoid valve, the control unit of the desaliQ basic filling module interrupts the water supply if the conductivity (LF) limit value is exceeded or the capacity limit of the cartridge has been reached during softening.

#### Demineralisation

In combination with the desaliQ resin bags, the heating water is fully demineralised.

#### Softening

In combination with the decaliQ softening cartridge, the raw water for the heating circuit is softened according to the ion exchange principle.

### Design

- Stainless steel console with carrying handle
- Sensor section with solenoid valve, turbine water meter (TWZ) and conductivity meter
- Control electronics with key-operated control panel integrated in the console
- Mains cable, 3 m in length, with Schuko plug
- All components are optimised for use up to a maximum temperature of 35 °C

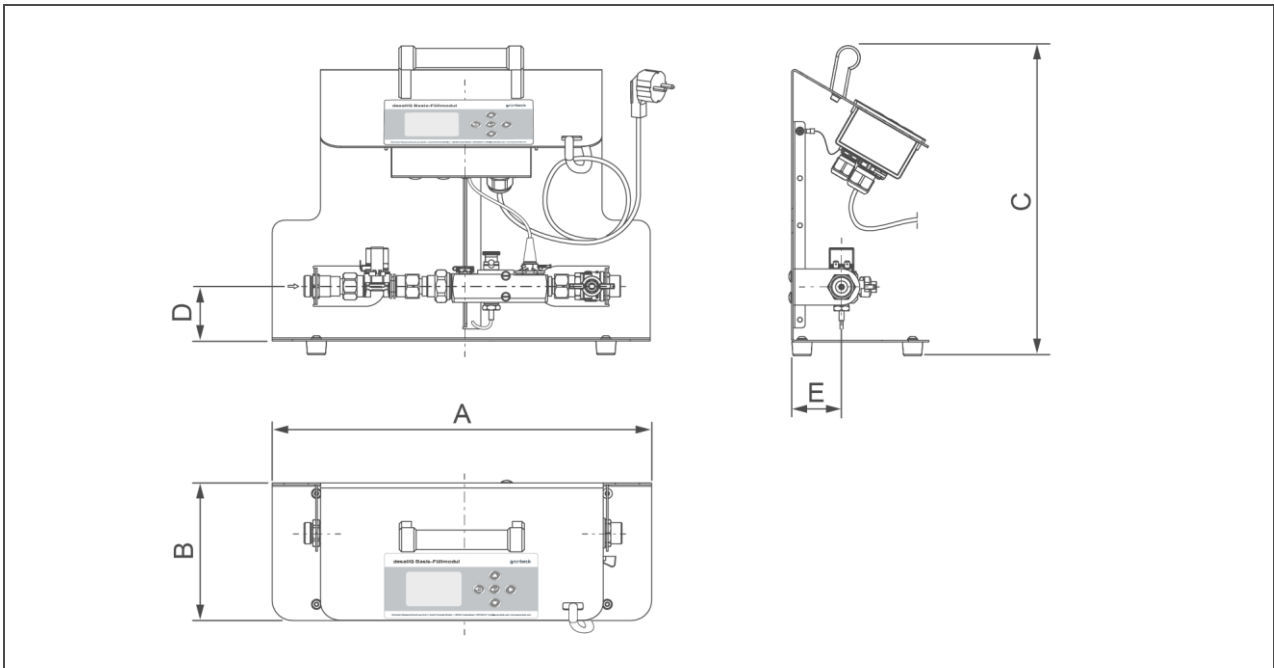
### Scope of supply

- desaliQ basic filling module, ready for connection
- Seal kit
- Operation manual

Versions for Switzerland, Denmark and Uruguay:

- Device with country-specific mains plug

## Technical specifications



Dimensions and weights		
A	Width	mm 470
B	Depth	mm 170
C	Height	mm 383
D	Connection height of sensor section	mm 68
E	Connection depth of sensor section	mm 62
	Approx. weight	kg 5.4

Connection data		
Nominal connection diameter of inlet and outlet		DN 20 (¾" m. thread)
Power supply	V/Hz	230/50 – 60
Rated power (operation)	W	20

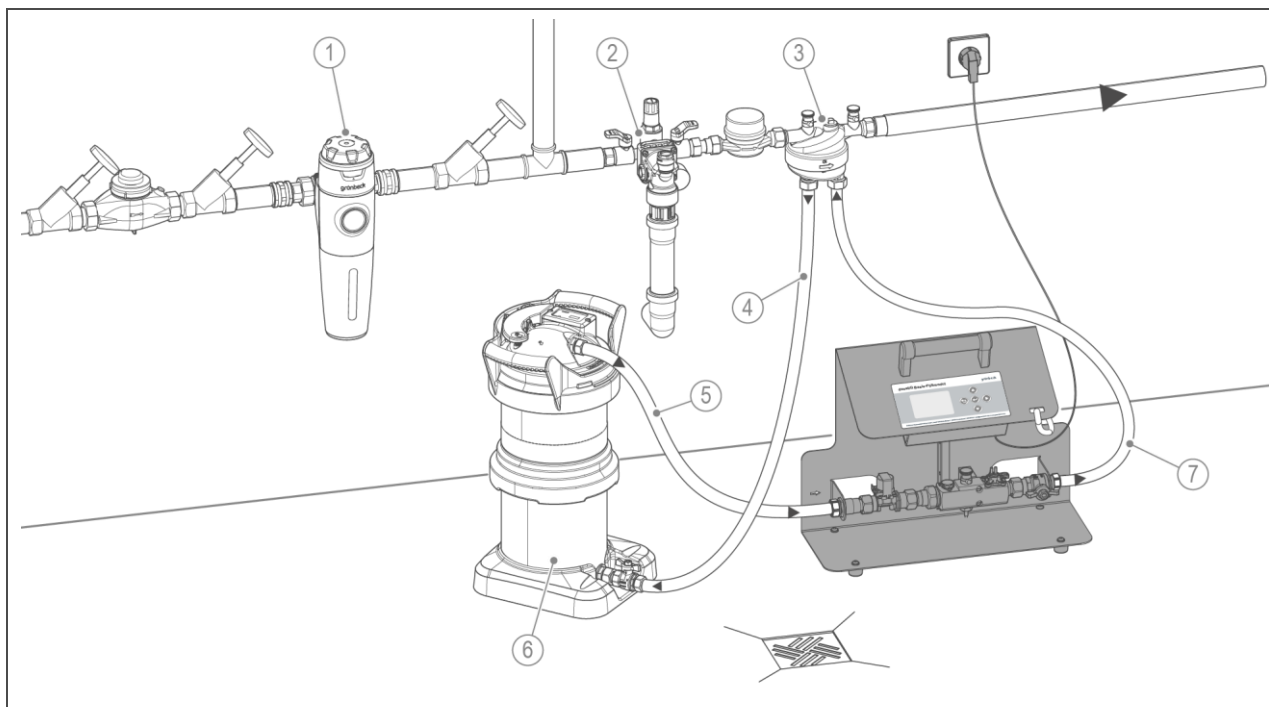
  

Performance data		
Nominal pressure	PN	6
Operating pressure (circuit)	bar	1.5 – 4
Flow at $\Delta p$ 1 bar (in combination with desaliQ:MB9)	l/h	720
Nominal flow (in combination with desaliQ:MB9)	m <sup>3</sup> /h	0.9
Flow rate of device	m <sup>3</sup> /h	1.3

General data		
Water temperature	°C	5 – 35
Ambient temperature	°C	5 – 40
Order no.		707000050000
Order no. Version Switzerland (CH)		707000056700
Order no. Version Denmark (DK)		707000056800
Order no. Version Uruguay (UY)		707000058200

## Installation example for demineralisation



Item	Designation	Item	Designation
1	Drinking water filter	2	Filling section thermalIQ:FB13i
3	Filling adapter	4	Inlet to desaliQ:MB9 (raw water)
5	Outlet of desaliQ:MB9 (pure water)	6	Mixed bed cartridge desaliQ:MB9
7	Outlet from desaliQ basic filling module to heating circuit		

### Installation requirements

Obey the local installation directives, general guidelines and technical specifications.

The installation site must be frost-proof and protect the product from direct sunlight, chemicals, dyes, solvents and their vapours.

A Schuko socket is required for electrical installation.

The installation room must have a floor drain. If no floor drain is available, an appropriate safety device must be installed.

For versions for Switzerland, Denmark and Uruguay, a country-specific socket is required.

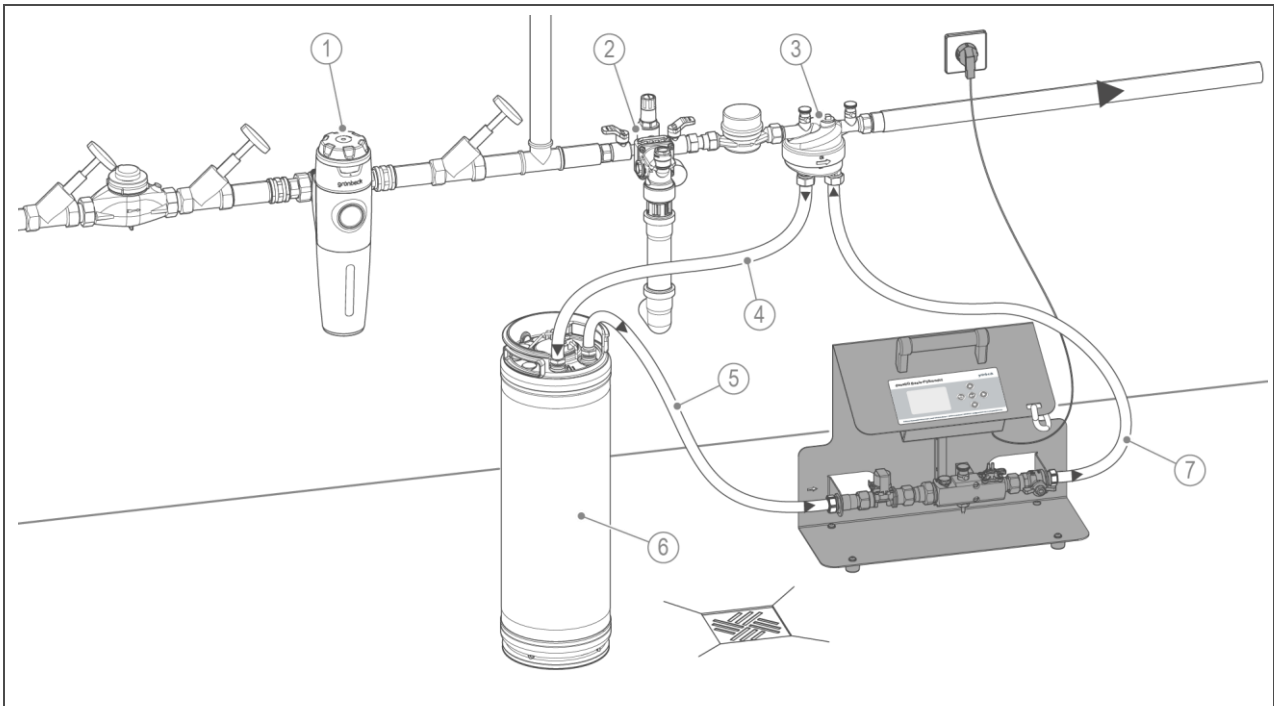
### Accessories

**Mixed bed cartridge desaliQ:MB9**  
Order no. 707 455

**Hose kit DN 20, straight/straight**  
Order no. 707 840

**Hose kit DN 20, straight/90°**  
Order no. 707 845

## Installation example for softening



Item	Designation	Item	Designation
1	Drinking water filter	2	Filling section thermaliQ:FB13i
3	Filling adapter	4	Inlet to decaliQ cartridge (raw water)
5	Outlet from decaliQ cartridge (pure water)	6	Softening cartridge decaliQ
7	Outlet from desaliQ basic filling module to heating circuit		

## Installation requirements

Obey the local installation directives, general guidelines and technical specifications.

The installation site must be frost-proof and protect the product from direct sunlight, chemicals, dyes, solvents and their vapours.

A Schuko socket is required for electrical installation.

The installation room must have a floor drain. If no floor drain is available, an appropriate safety device must be installed.

For versions for Switzerland, Denmark and Uruguay, a country-specific socket is required.

## Accessories

**Softening cartridge**  
**decaliQ:BA12 VARIO mini**  
**Order no. 707 765**

**Softening cartridge**  
**decaliQ:BA16 VARIO mini**  
**Order no. 707 785**

**Hose kit DN 20, straight/straight**  
**Order no. 707 840**

**Hose kit DN 20, straight/90°**  
**Order no. 707 845**

## Contact

Grünbeck Wasseraufbereitung GmbH  
Josef-Grünbeck-Str. 1  
89420 Hoehstaedt  
GERMANY

+49 9074 41-0

+49 9074 41-100

info@gruenbeck.com  
www.gruenbeck.com

