

clearliQ travel

Intended use

The water filter clearliQ travel is designed for the filtration of clear drinking water.

The clearliQ travel produces hygienic fresh water in your caravan and motorhome.

The clearliQ travel is not suitable for generating drinking water from well water, waste water, river water or rainwater.

The clearliQ travel is not suitable for use in hot water.

Function

The water flows through the filter cartridge of the water filter, removing chlorine, discoloration, unpleasant odours and micro-organisms from the water.

Bacteria such as Legionella pneumophila, Escherichia coli and Pseudomonas aeruginosa are fixed to the hygiene element by electrostatic adsorption.

This ensures germ removal with low pressure loss and energy input.

Recommended: Change the filter cartridge after 6 months or 5000 litres of treated water after commissioning, whichever comes first.

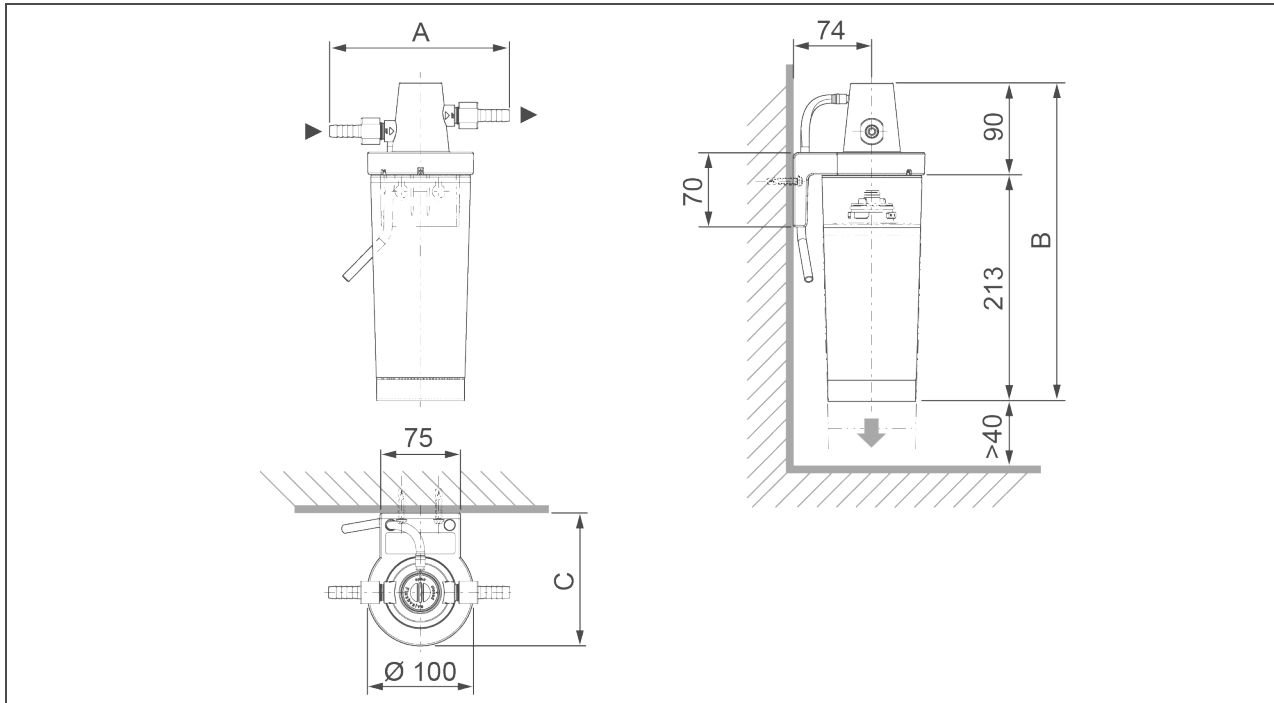
Structure

- Compact design requiring little space.
- The filter cartridge is connected to the filter head by means of a bayonet lock.
- The filter head features a mounting bracket and a flushing hose.
- The filter head has an integrated shut-off valve. No additional shut-off valves are required in the inlet and outlet.
- All materials used in the clearliQ travel water filter comply with Regulation 1935/2004 on materials and articles intended to come into contact with food.

Scope of supply

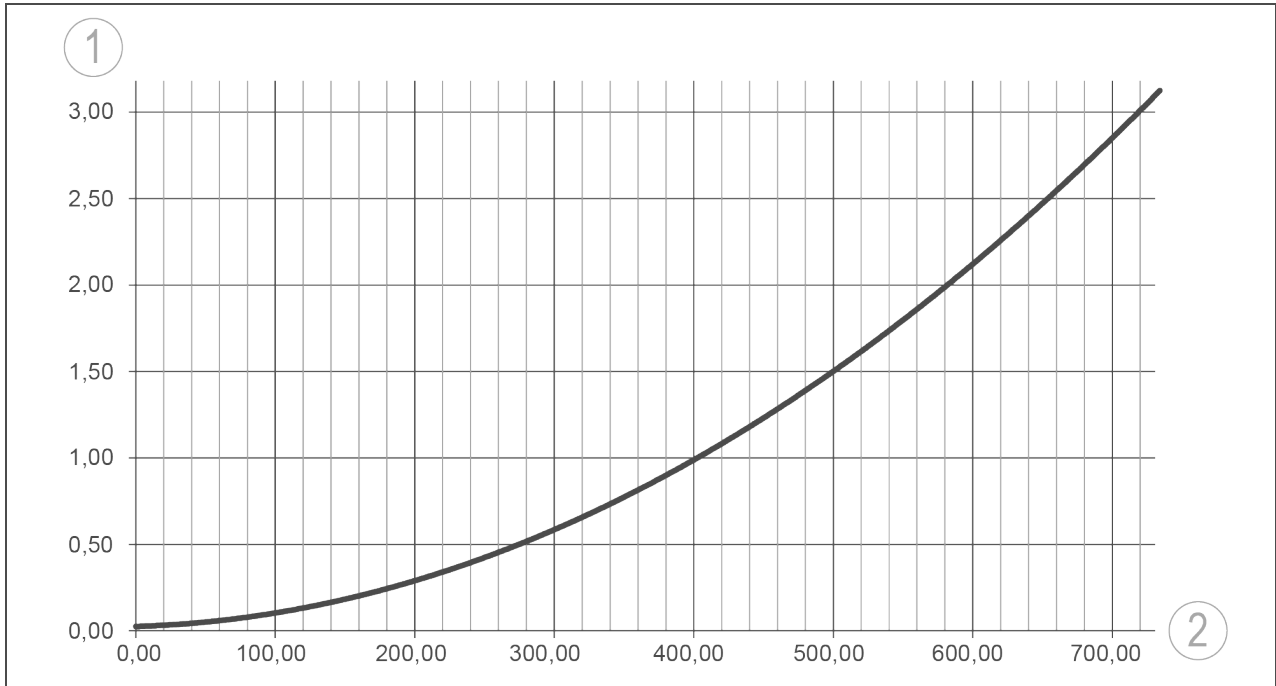
- clearliQ travel installation kit incl.
 - Filter cartridge
 - Filter head with holder and flushing hose
 - Hose fittings
- Quick reference manual

Technical specifications I



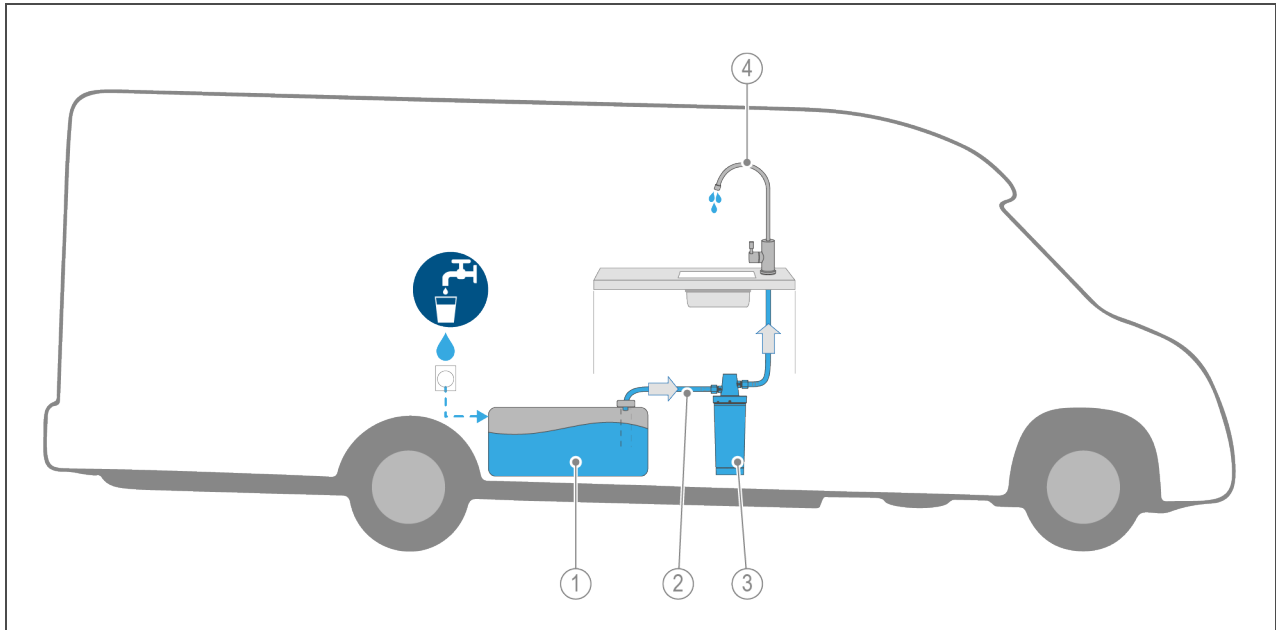
Dimensions and weights		clearliQ travel installation kit
A Width	mm	170
B Height	mm	300
C Depth	mm	125
Operating weight, approx. (incl. water)	kg	1.8
Shipping weight, approx.	kg	0.8
Connection data		
Hose fitting	mm	12
Performance data		
Nominal flow	l/min	4.0
	l/h	250
Operating pressure	bar	≥ 6.0
Filter cartridge change interval (recommended) after max. up to	months	6
	l	5000
General data		
Water temperature	°C	4 – 30
Ambient temperature	°C	5 – 40
Product no. (P/N)		525000010000
Part no. (B/N)		3345951

Technical specifications II



Item	Designation	Item	Designation
1	Differential pressure in bar	2	Flow in l/h

Installation example



Item	Designation	Item	Designation
1	Fresh water tank	2	Cold water line
3	Water filter cleariQ travel	4	Water tap

Installation requirements

Installation directives, general guidelines for installation in vehicles (caravans and motorhomes) according to the vehicle manufacturer and technical data must be observed.

The installation site must be frost-proof and ensure the water filter's protection from chemicals, dyes, solvents and their vapours as well as from direct sunlight.

The water filter must not be installed next to a heat source (e.g. boiler, heater).

The installation site must be well accessible for maintenance purposes (changing the filter cartridge).

Consumables

Replacement cartridges for cleariQ travel

P/N 525000020001 (1x)

P/N 525000030001 (2x)

When reordering via HYMER

cleariQ travel replacement cartridge

Part no. (B/N)

3345958

1x Sales/Service via

cleariQ travel Double replacement cartridge

Part no. (B/N)

3345960

2x

Contact

Grünbeck Wasseraufbereitung GmbH
Josef-Grünbeck-Str. 1
89420 Hoehstaedt
Germany

☎ +49 (0)9074 41-0

☎ +49 (0)9074 41-100

✉ info@gruenbeck.com
www.gruenbeck.com



Erwin Hymer Group SE

Holzstraße 19

D-88339 Bad Waldsee/GERMANY

Web: www.erwinhymergroup.com

Phone: +49 (0)7524 999-360