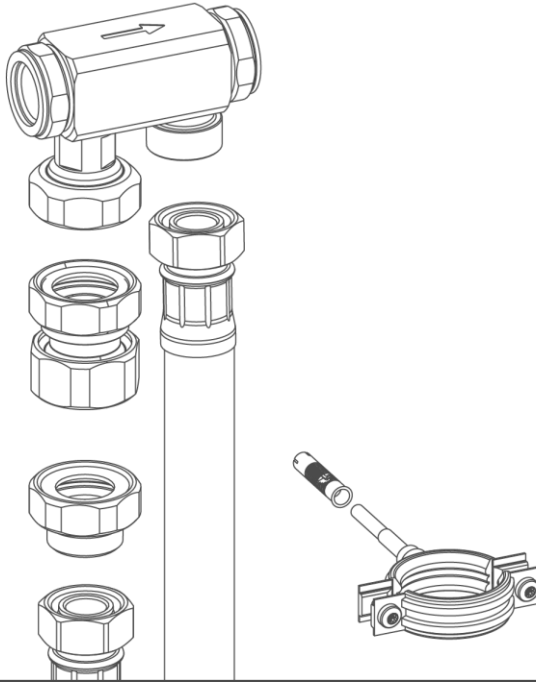


We understand water.



Accessories | Installation kit softliQ

Installation instructions

grünbeck

**Central Contact
Germany**

Sales

Phone +49 (0)9074 41-0

Technical Service

Phone +49 (0)9074 41-333

Fax +49 (0)9074 41-120

Availability

Monday to Thursday
7:00 am – 6:00 pm

Friday

7:00 am – 4:00 pm

Your local point of contact: see
accompanying list of
representatives.

Subject to technical modifications.
© by Grünbeck Wasseraufbereitung GmbH

Edition: April 2023
Order no.: TD5-BS004en_025

1 Product description

1.1 Intended use

- The installation kit softliQ is designed for a combination connection of a Grünbeck water softener softliQ:SD18, SD21, SD23 and softliQ:MD32 and a Grünbeck filter (size 1") of the pureliQ and BOXER series.
- Additional filter combinations with e.g. safety device protectliQ are possible.
- The installation kit softliQ is intended for installation situations with limited space in a water pipe.
- The installation kit softliQ can be installed in horizontal or vertical water pipes.
- The installation kit softliQ is suitable for an installation length of 100 mm in the water pipe DN 25 (1") in size.
- The installation kit softliQ is suitable for the flow direction of water from right, left, top or bottom.

1.2 Intended audience

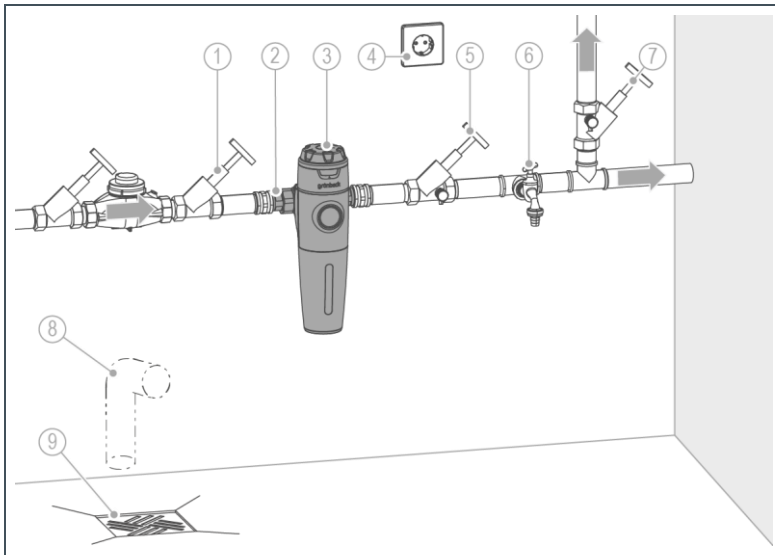
This manual is intended for qualified specialists.

1.3 Other applicable documents

- Operation manual for filter (pureliQ or BOXER)
- Operation manual of the water softener (softliQ:SD or softliQ:MD)
- Operation manual of the safety device protectliQ

1.4 Initial situation




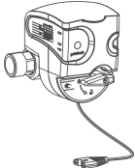
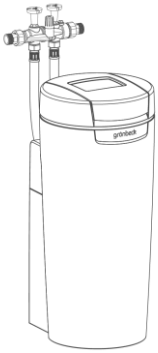
- Pre-installed filter in size 1" (DN 25) and connection flange with 100 mm installation length (without screw connections).
- There is no additional installation space in the water pipe for the installation of further components, e.g. water softener softliQ.



Item	Designation	Item	Designation
1	Inlet shut-off valve	2	Screw connection with union nuts in 5/4"
3	Filter, e.g. pureliQ:KD (1")	4	Push socket with earthing contact (230 VAC)
5	Outlet shut-off valve	6	Water withdrawal point
7	Shut-off valve	8	Drain connection DN 50
9	Floor drain		

1.5 Components

You can use these components with the installation kit softliQ – see www.gruenbeck.com

Image	Product	Order no.
	Fine filter (DN 25)	
	pureliQ:K	101 225
	pureliQ:KD	101 275
	BOXER KX	101 835
	BOXER KDX	101 820
	Backwash filter (DN 25)	
	pureliQ:R	101 325
	pureliQ:RD	101 375
	BOXER RX	101 515
	BOXER RDX	101 530
	Automatic filter	
	pureliQ:A	101 425
	pureliQ:AD	101 475
	Safety device protectliQ	126 405
	Water softener (DN 25)	
	softliQ:SD18	189 100
	softliQ:SD21	189 200
	softliQ:SD23	189 300
	softliQ:MD32	187 400

2 Installation

Here, a sample installation in a horizontal water pipe (flow direction from left) is shown.

Other possible installations (e.g. in a vertical water pipe) must be carried out in the same way.



The installation of the installation kit softliQ represents a major intervention into the drinking water system and only a qualified specialist should install this system.



NOTE: Installation without observing the flow direction.

- Damage/malfunction of the appliances and stagnation in the water pipe.
 - ▶ Mount all components according to the flow direction and its identification mark.
-



NOTE: Mounting without support in the wall.

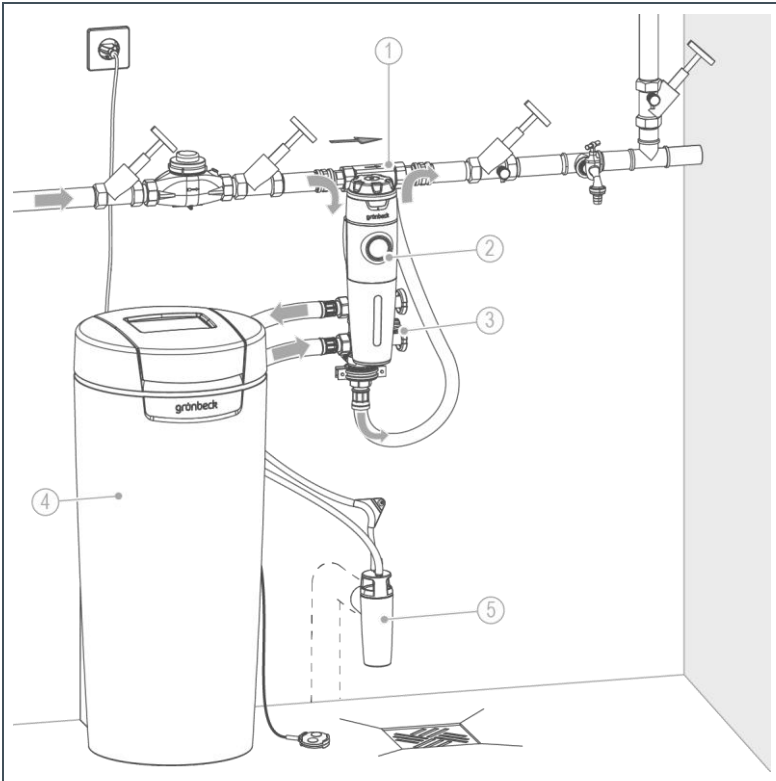
- Instability of the installation kit softliQ can lead to leaks due to large rotary lever.
 - ▶ Fix the installation kit softliQ to the wall with the pipe clamp.
-

2.1 Requirements for the installation site

- Water pipe in size DN 25 (1")
- Pre-installed water meter screw connections (from the filter) with 100 mm installation length for connection block of the installation kit

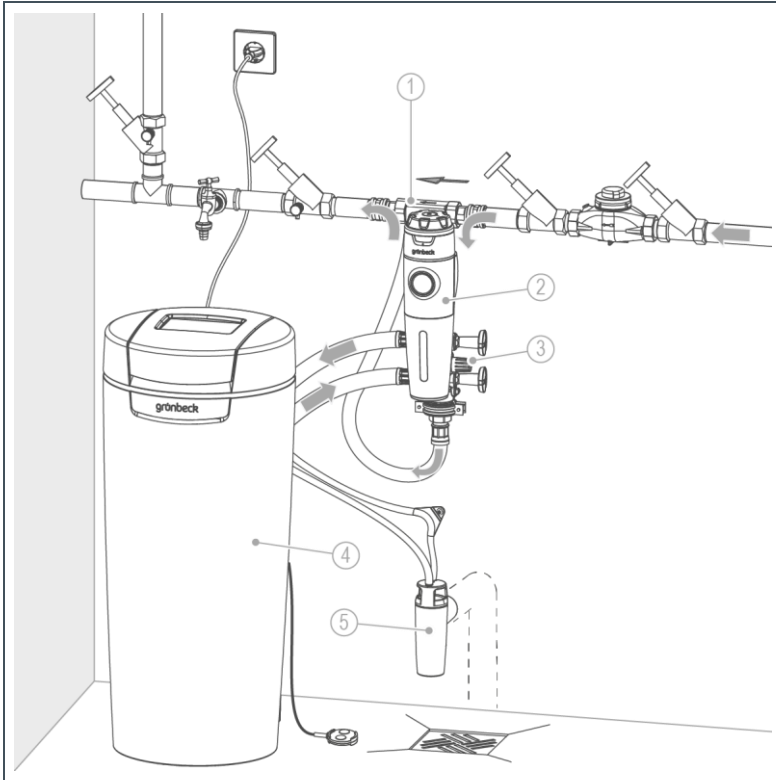
2.1.1 Installation example with pureliQ & softliQ

In horizontal pipe (flow direction from left)



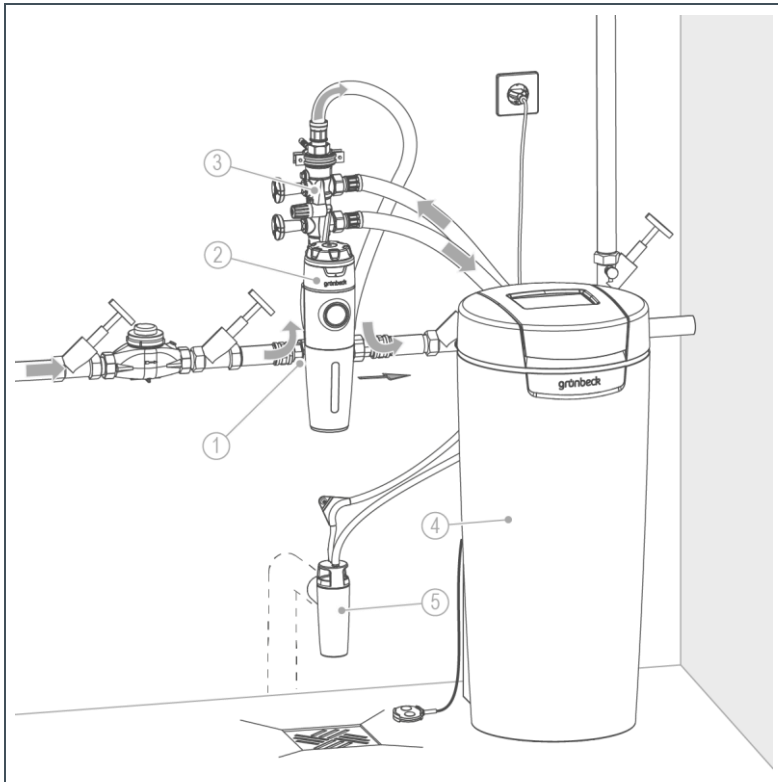
Item	Designation	Item	Designation
1	Installation kit softliQ	2	Fine filter, e.g. pureliQ (1")
3	Connection block softliQ	4	Water softener softliQ DN 25
5	Drain connection DN 50		

In horizontal pipe (flow direction from right)



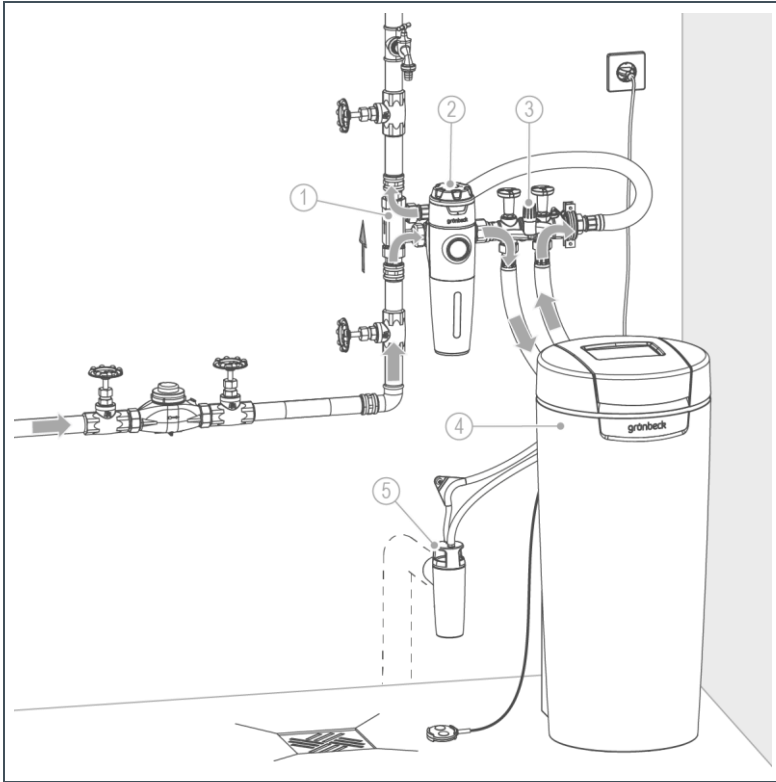
Item	Designation	Item	Designation
1	Installation kit softliQ	2	Fine filter, e.g. pureliQ (1")
3	Connection block softliQ	4	Water softener softliQ DN 25
5	Drain connection DN 50		

In horizontal low pipe (installation upside down)



Item	Designation	Item	Designation
1	Installation kit softliQ	2	Fine filter, e.g. pureliQ (1")
3	Connection block softliQ	4	Water softener softliQ DN 25
5	Drain connection DN 50		

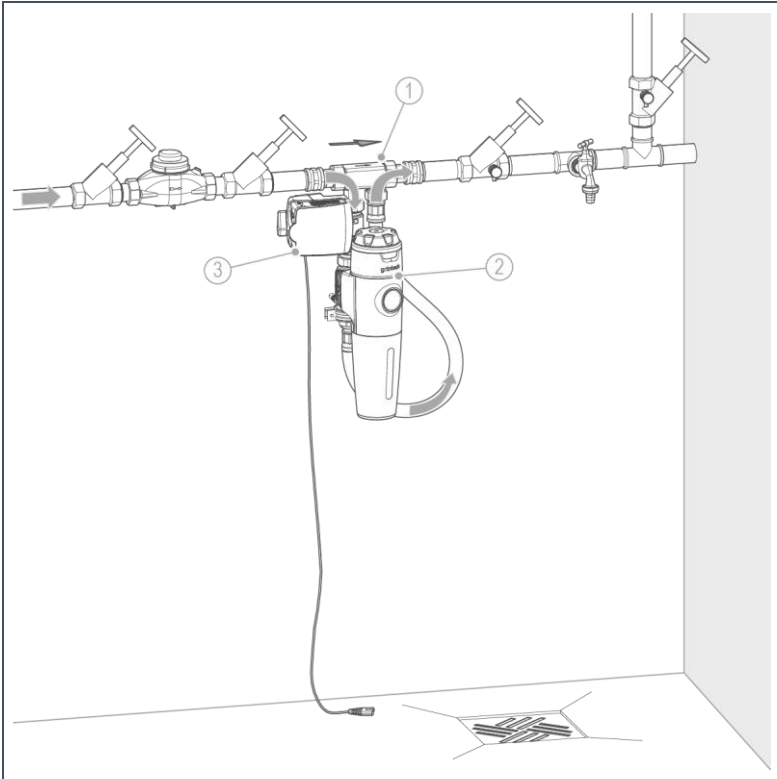
In vertical pipe (flow direction from below)



Item	Designation	Item	Designation
1	Installation kit softliQ	2	Fine filter, e.g. pureliQ (1")
3	Connection block softliQ	4	Water softener softliQ DN 25
5	Drain connection DN 50		

2.1.2 Installation example with safety device

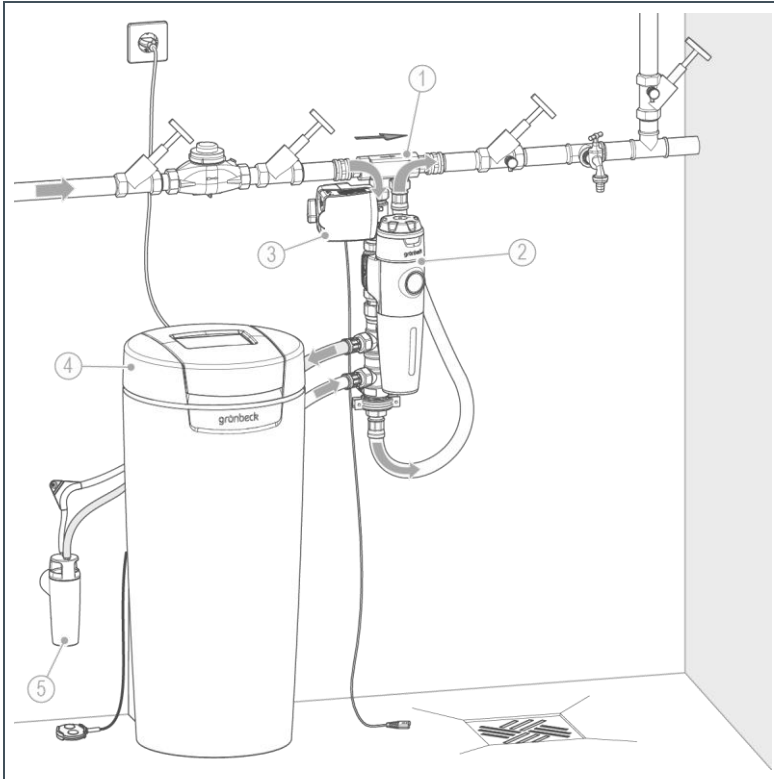
In horizontal pipe (protectliQ & pureliQ)



Pos.	Designation	Pos.	Designation
1	Installation kit softliQ	2	Fine filter, e.g. pureliQ (1")
3	Safety device protectliQ:A25		

2.1.3 Installation example with protectliQ & softliQ

In horizontal pipe (pureliQ & softliQ)

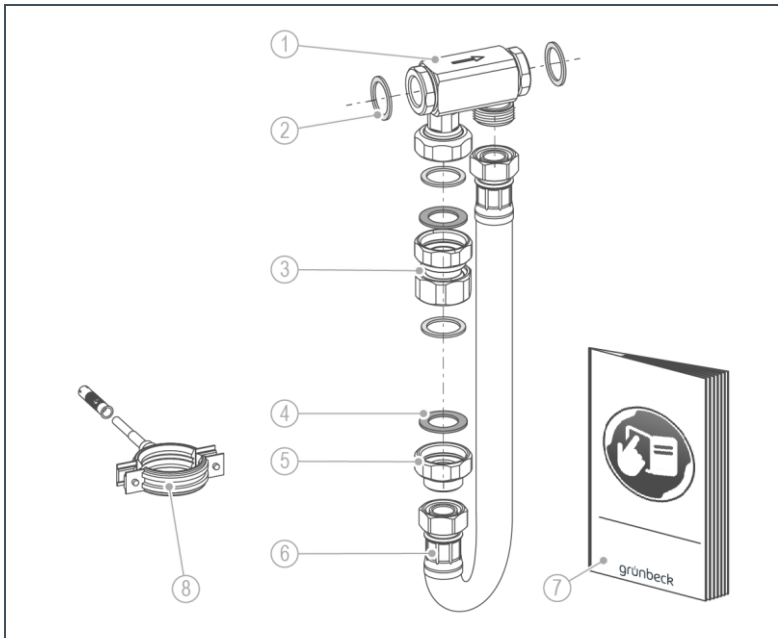


Pos.	Designation	Pos.	Designation
1	Installation kit softliQ	2	Fine filter, e.g. pureliQ (1")
3	Safety device protectliQ:A25	4	Water softener softliQ DN 25
5	Drain connection DN 50		



Additional double screw connection required
(Order no. 115 334)

2.2 Checking the scope of supply

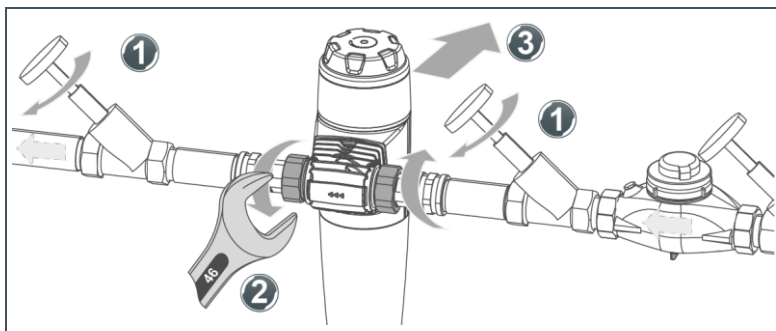


Item	Designation	Item	Designation
1	Connection block installation kit	2	Flat gasket (4x white)
3	Double screw connection	4	Flat gasket (2x black)
5	Transition piece	6	Connection hose flexible with screw connections/O-rings Optional: Corrugated stainless steel pipe (version for Switzerland)
7	Installation instructions	8	Pipe clamp with hanger bolt (M8), dowel (Ø10)

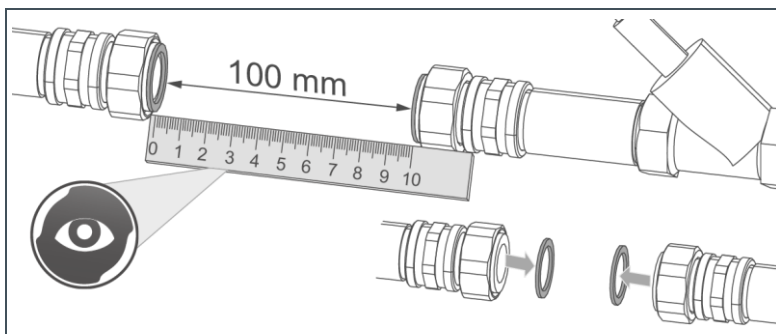
► Check the scope of supply for completeness and damage.

2.3 Installation with water softener softliQ

2.3.1 Remove the existing filter

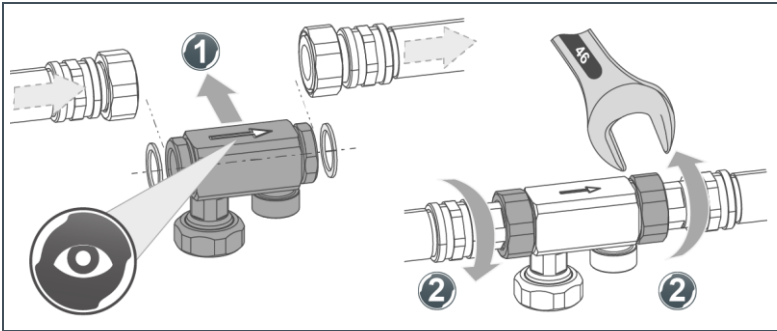


1. Close the shut-off valves (inlet and outlet).
Let the residual water run out of the filter – unscrew the filter or backwash the filter.
2. Loosen the union nuts on the connection flange.
3. Check the installation dimension (100 mm between the flat gaskets).



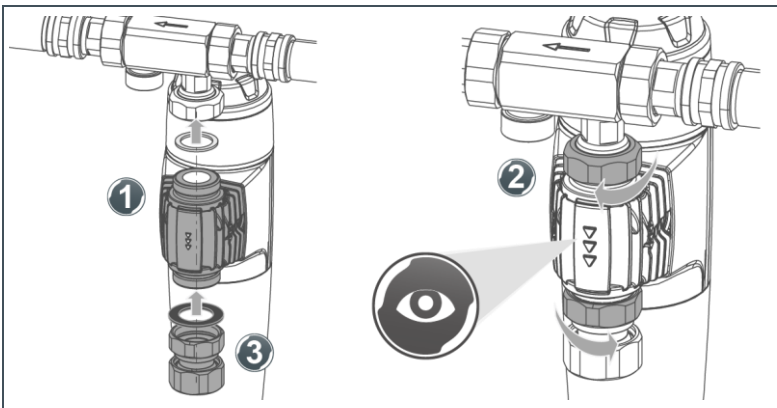
- Discard used flat gaskets.

2.3.2 Install the connection block of the installation kit



4. Position the connection block of the installation kit with new flat gaskets (white) – observe flow direction.
5. Mount the connection block of the installation kit by tightening the union nuts without tension.

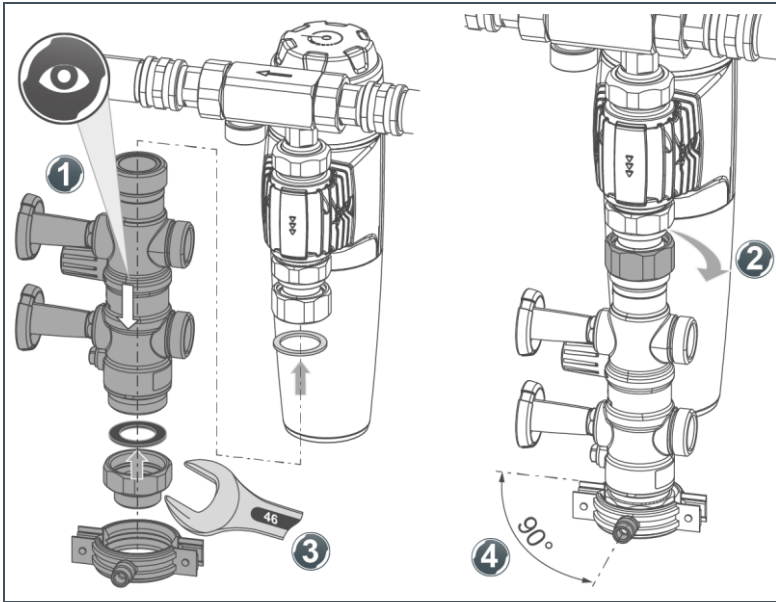
2.3.3 Mounting the filter



1. Position the connection flange of the filter with the flat gasket (white) – observe flow direction.
2. Screw the filter on until finger tight.

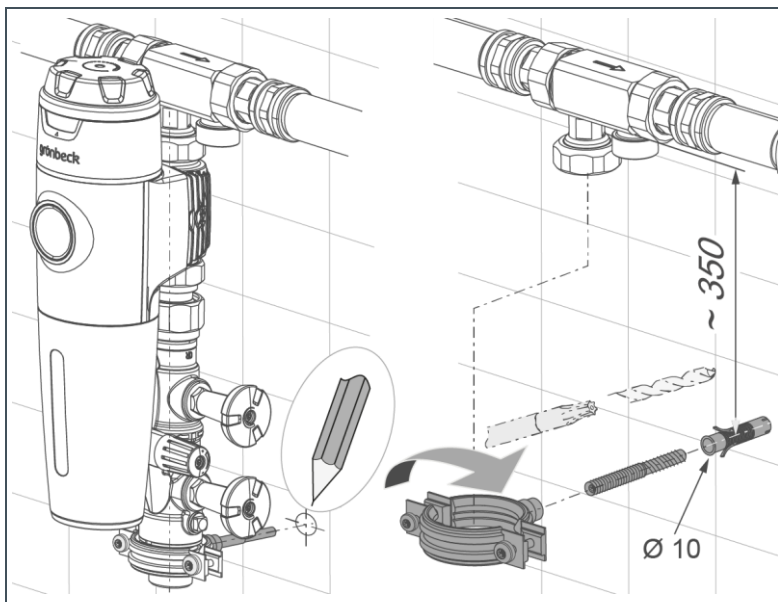
3. Mount the double screw connection with the flat gasket (black).

2.3.4 Mount connection block softliQ



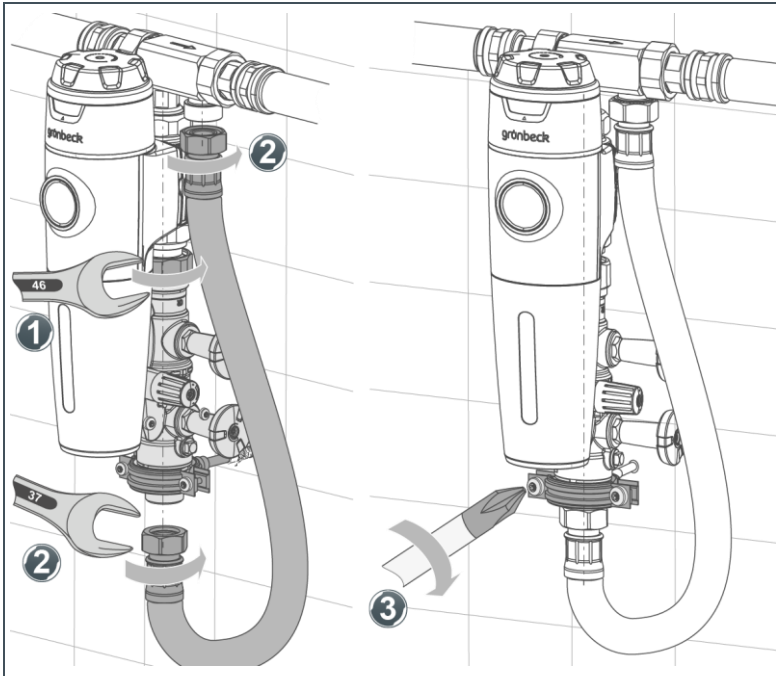
1. Position the connection block softliQ with the flat seal (white) – observe flow direction.
2. Screw the connection block softliQ onto the double screw connection until finger tight.
3. Screw the transition piece with the flat gasket (black) tightly.
4. Place the pipe clamp on the transition piece – align at right angles to the wall – and tighten until finger tight.

2.3.5 Fix the pipe clamp



1. Screw the hanger bolt by hand into the pipe clamp.
2. Mark the centre for the hole (dowel) on the wall.
3. Unscrew the unit (filter and connection block softliQ) from the top of the connection block of the installation kit.
4. Drill a hole according to your wall situation for dowels (Ø 10 mm).
5. Insert the dowel flush into the wall.
6. Screw the hanger bolt with pipe clamp into the wall until the middle of the pipe clamp is aligned as far as possible with the upper connection.

2.3.6 Screw on connection hose



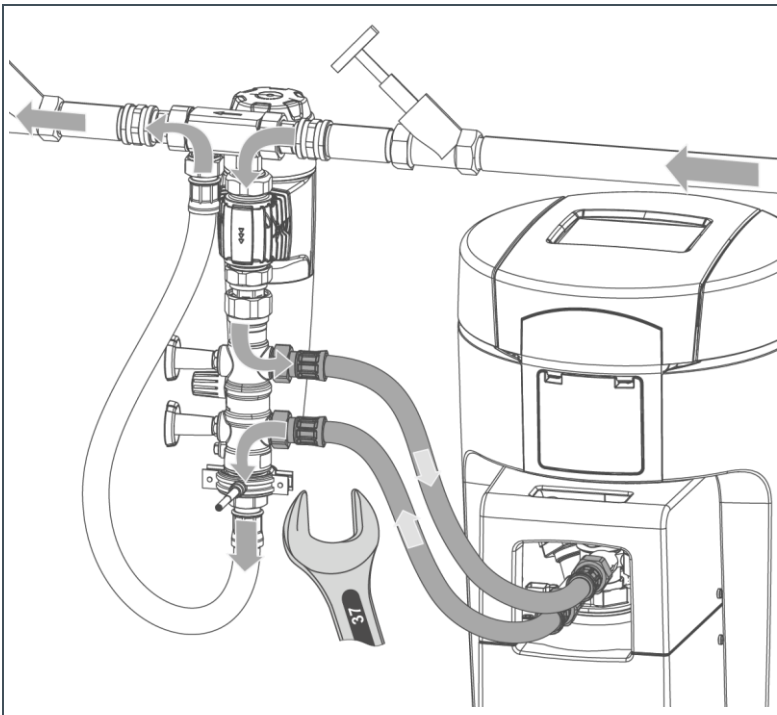
1. Screw the unit (filter and connection block softliQ) onto the top of the connection block of the installation kit. Adjust the distance of the pipe clamp to the wall.
2. Fix the connection hose onto the top of the connection block of the installation kit and onto the bottom of the transition piece with the nuts and inserted O-rings.
3. Tighten the pipe clamp firmly.
4. Tighten all connections firmly.

2.3.7 Mount connection hoses on the softliQ



NOTE: Friction of the connection hoses during operation.

- Damage to the connection hoses.
- ▶ Mount the connection hoses of the softliQ and the connection hose of the installation kit in such a way that they do not touch one another – no friction occurs.



1. Install the water softener softliQ.
2. Connect the connection hoses to the water softener softliQ – observe flow direction.

2.4 Installation with safety device protectliQ

The installation set softliQ can be retrofitted with the safety device protectliQ.

You can connect the following components:

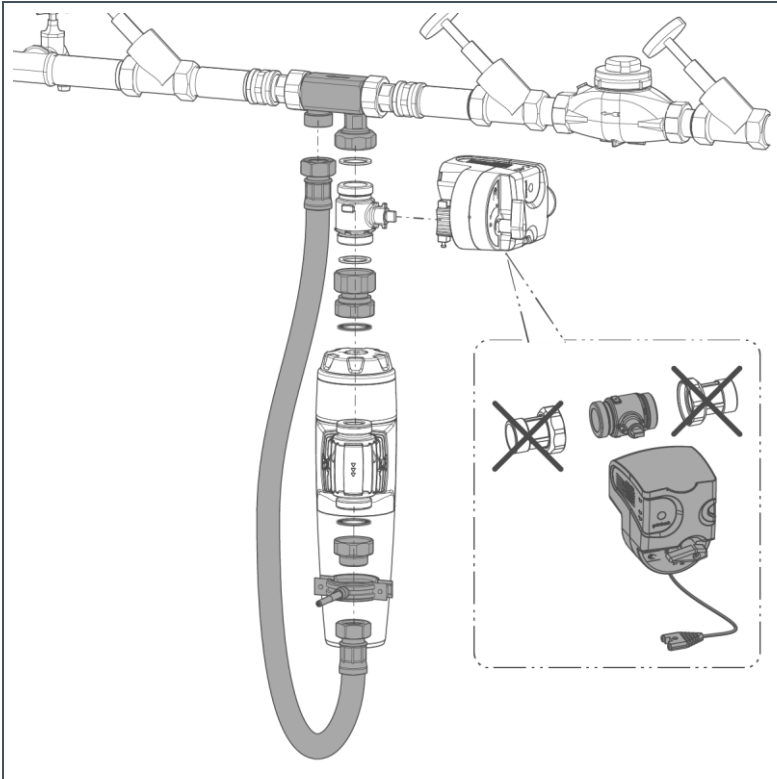
- protectliQ with filter
- protectliQ with filter and softliQ

2.4.1 Mounting protectliQ with filter

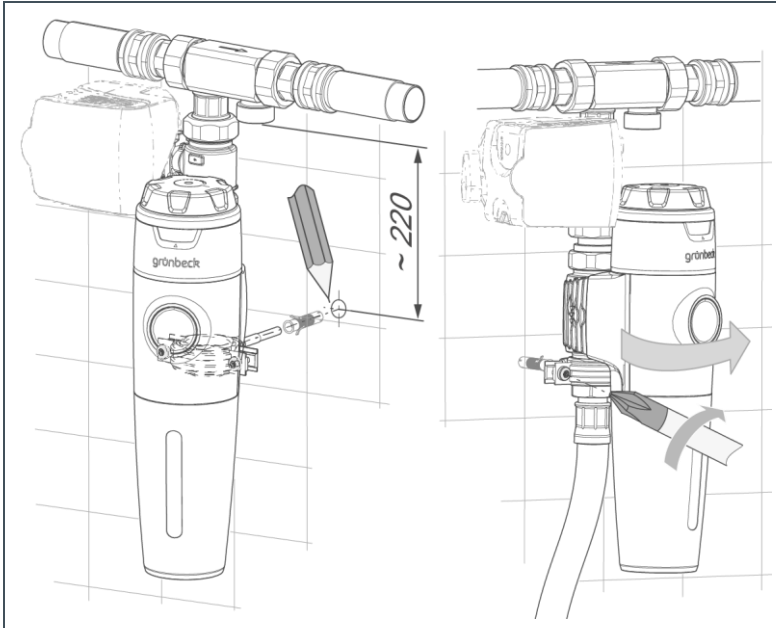


See operation manual of the safety device protectliQ

The protectliQ is mounted at the connection block of the installation kit. The water meter screw connections with flat seals of the safety device protectliQ are not required.

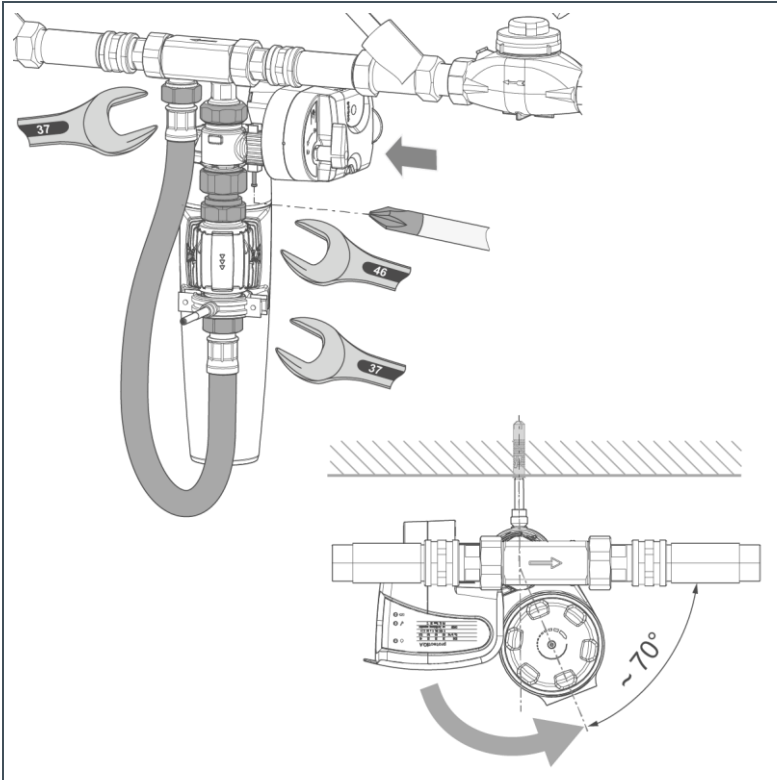


1. Mount the connection block (see chapter 2.3 and 2.3.2)
2. Mount the ball valve of the protectliQ – do not insert the protectliQ yet.
3. Mount the filter – screw on the double screw connection to the protectliQ (see chapter 2.3.3)

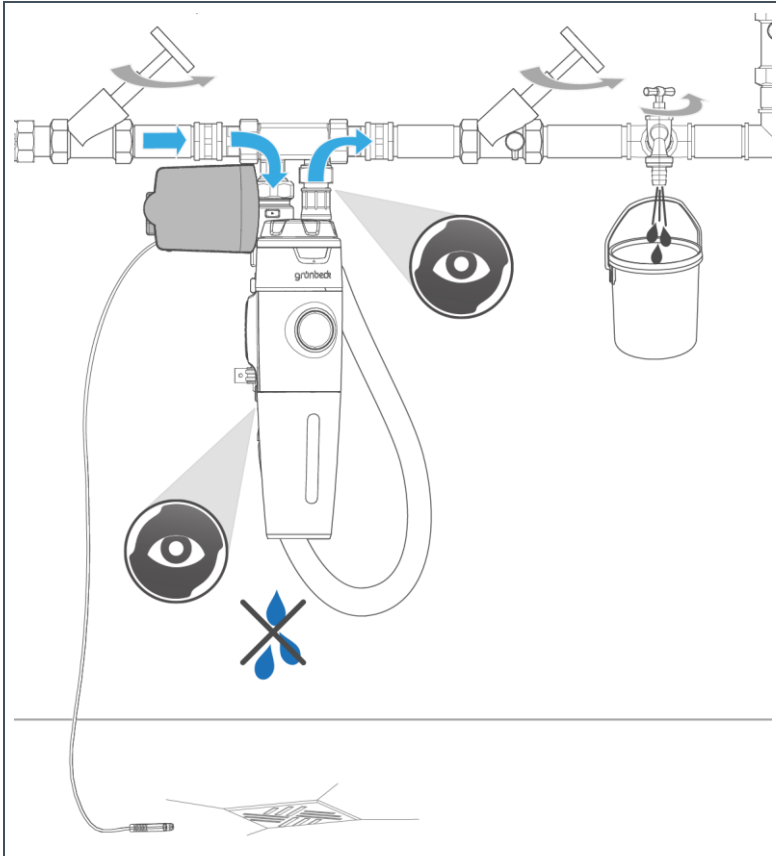


4. Specify the position of the pipe clamp (see chapter **Fehler!**
Verweisquelle konnte nicht gefunden werden.).

5. Fix the pipe clamp.



6. Fasten the protectliQ to the ball valve.
7. Mount the connection hose (see chapter **Fehler!**
Verweisquelle konnte nicht gefunden werden.).
8. Position the filter in a way that it does not collide with the protectliQ.
9. Retighten all screw connections.



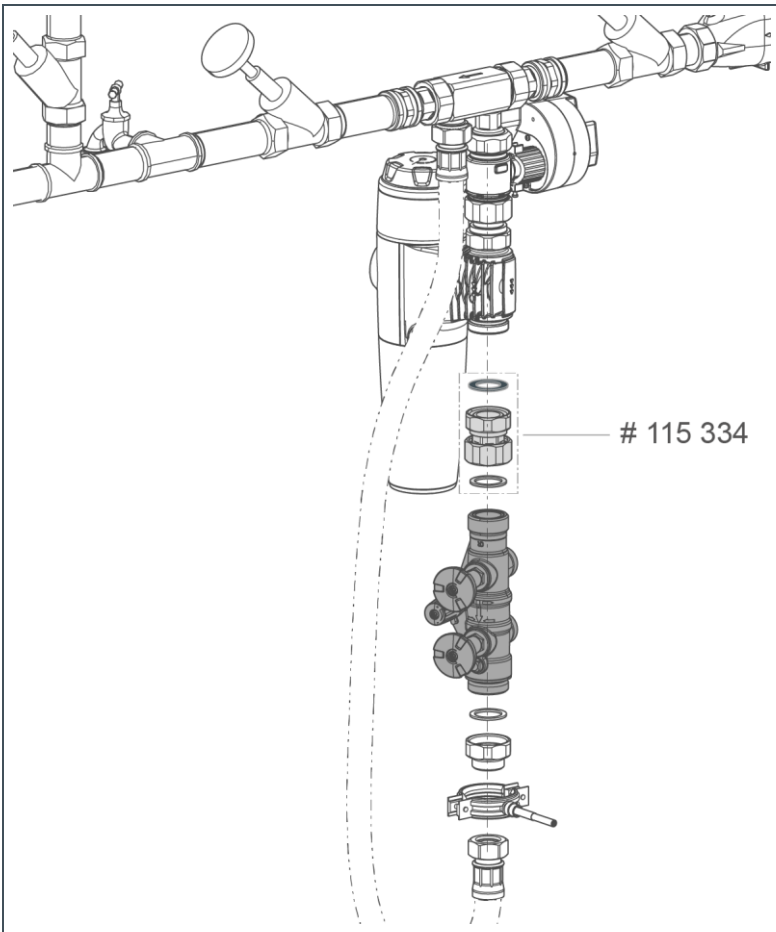
10. Put the protectliq into operation.
11. Open the shut-off valves.
12. Fully open the nearest water withdrawal point downstream of the installation.
13. Check the complete installation for leaks.

2.4.2 Mounting ProtectliQ with filter and softliQ

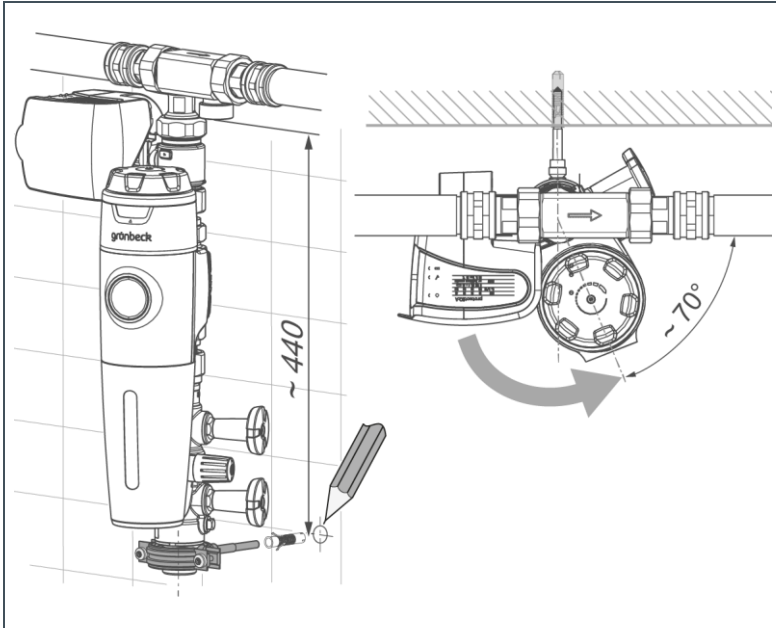


In addition the double screw connection is required (Order no. 115 334).

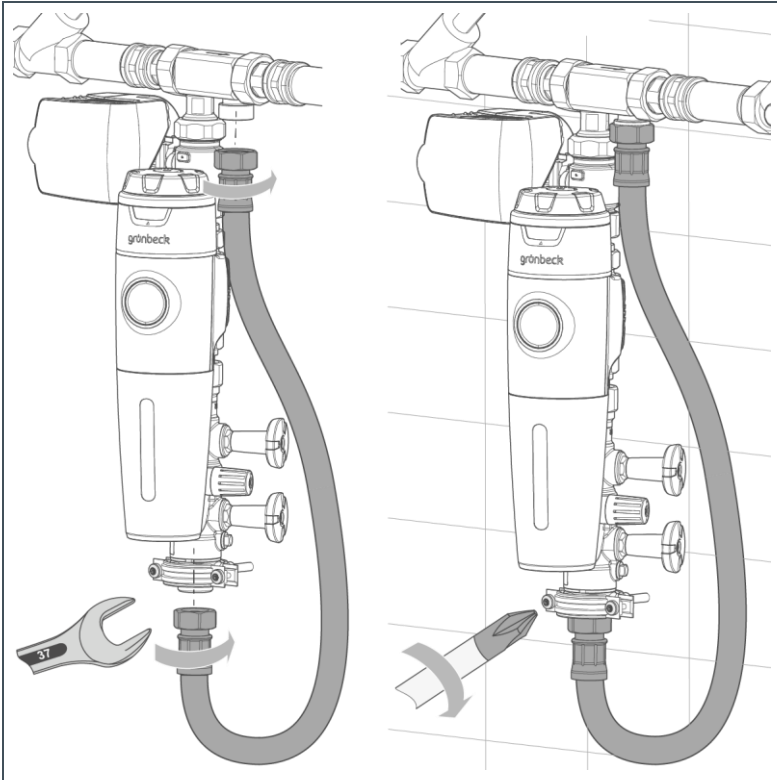
- ▶ Mount the protectliQ and the filter.



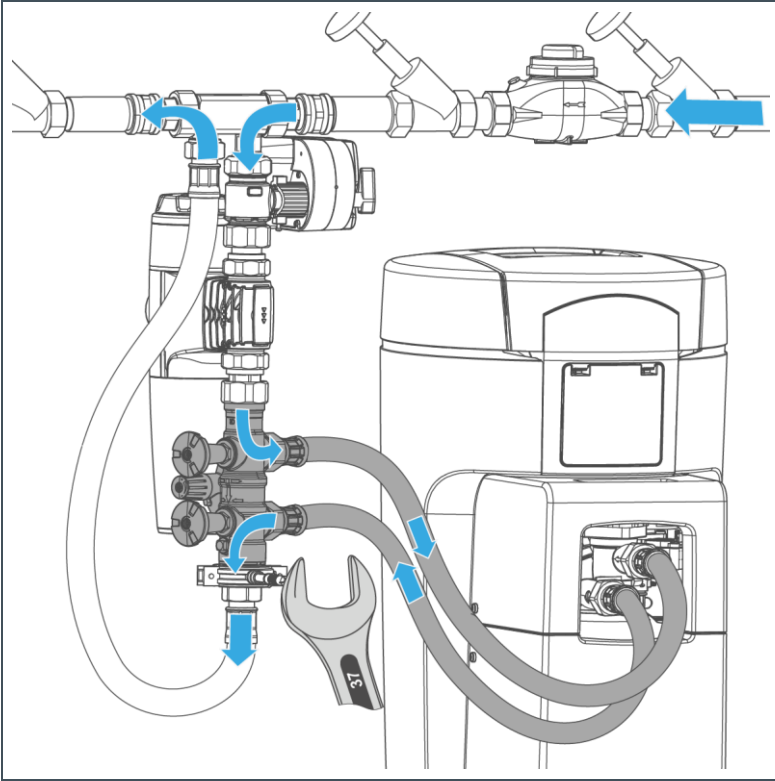
1. Mount the additional double screw connection.



2. Mount the connection block softliQ (see chapter **Fehler! Verweisquelle konnte nicht gefunden werden.**).
3. Mount the pipe clamp (see chapter **Fehler! Verweisquelle konnte nicht gefunden werden.**).



4. Mount the connection hose (see chapter **Fehler!**
Verweisquelle konnte nicht gefunden werden.).
5. Retighten all screw connections.



6. Mount the connection hoses to the softliQ.
7. Carry out the start-up procedure.

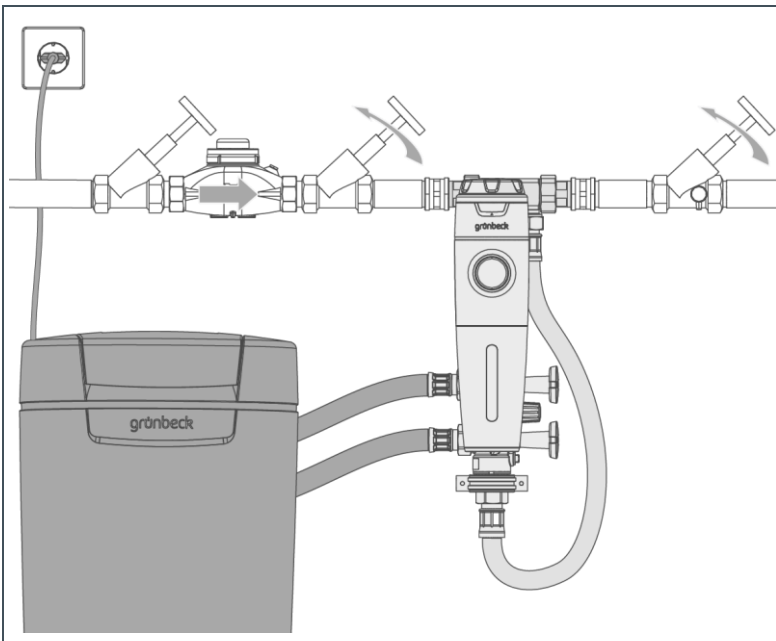
3 Start-up

3.1 How to start up the product

3.1.1 In combination with the water softener softliQ



See the operation manual of the water softeners softliQ.

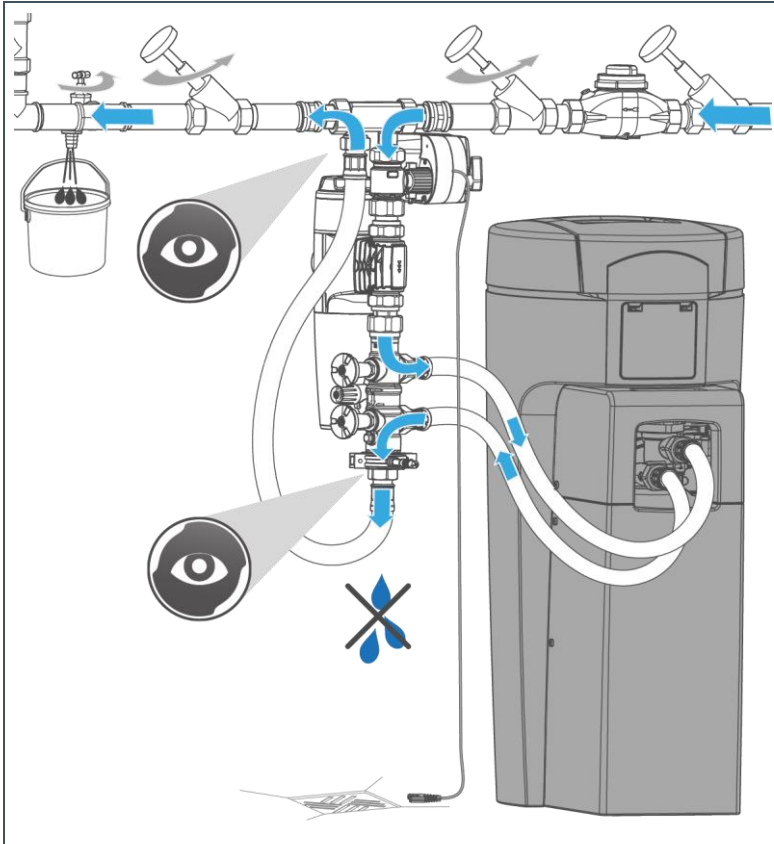


1. Carry out the start-up of the water softener softliQ.
2. Only open the shut-off valves when the start-up program of the softliQ prompts you to do so.

3.1.2 In combination with the safety device protectliQ

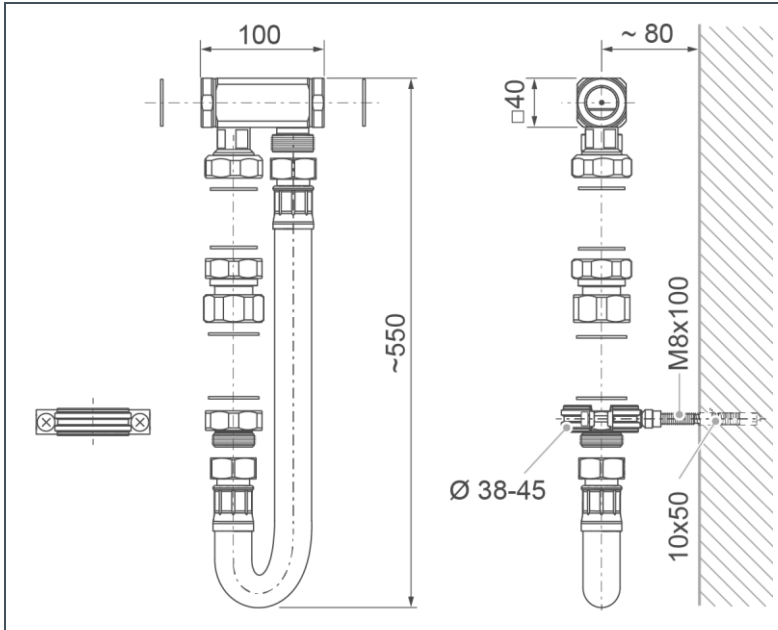


See operation manual of the safety device protectliQ.



3. Check the complete installation for leaks.

4 Technical specifications



Dimensions and weights

Nominal connection diameter	DN	25
Installation length	mm	100
Distance to wall	mm	~ 80
Shipping weight, approx.	kg	2.3

Connection data

Nominal pressure	PN	10
Nominal flow	m ³ /h	1.8 – 3.2
Pressure loss at nominal flow	bar	approx. 0.5
Min./max. operating pressure (recommended)	bar	3.0 – 8.0 (4.0)

General data

Water temperature	°C	5 – 30
Ambient temperature	°C	5 – 40
Order no.		188 865

Grünbeck Wasseraufbereitung GmbH
Josef-Grünbeck-Str. 1
89420 Hoechstädt
Germany



+49 (0)9074 41-0



+49 (0)9074 41-100

info@gruenbeck.com
www.gruenbeck.com



For more Information go
to www.gruenbeck.com