

SODA JET Office

Intended use

The SODA JET Office drinking water dispenser is designed for the generation of refrigerated and/or carbonated water.

The water is refrigerated and carbonated, and its taste characteristics are thereby enhanced.

The drinking water dispenser is connected to the cold water network of the domestic drinking water system.

The drinking water dispenser is designed for use in the industrial and commercial sector, as well as in public facilities.

Examples of use: Offices, public facilities, hospitals, nurseries, health and fitness centres.

Function

The drinking water is cooled to a desired temperature by the built-in cooling unit.

The drinking water dispenser is designed for a dispensing capacity of up to 90 l/h in cycle mode.

Three different water types can be dispensed: STILL, MEDIUM or CLASSIC

Depending on which button is pressed, the corresponding solenoid valves of the dispenser unit open during tapping.

In the STILL water path, the water is only cooled.

In the CLASSIC water path, the water flows through a carbonator. The water in the carbonator is enriched with food carbon dioxide (CO₂) using an external CO₂ cylinder.

In the MEDIUM water path, still water and water containing food carbon dioxide gas are mixed.

The solubility of the CO₂ is determined by the set operating parameters. The CO₂ concentration mainly depends on the water pressure, the CO₂ pressure and the temperature.

With a temperature controller on the back of the device, the cooling temperature can be continuously adjusted between 5°C and 20°C.

Any dripping water is collected in a built-in dripping water pan and drained off via an optional drain connection.

Flushing unit (optional)

This flushes the content of the device to the drain at regular intervals. Stagnation times are reduced, and hygiene is improved. The drain connection is essential for this purpose.

Structure

- Housing made of powder-coated white sheet steel
- Stainless steel front cover
- 3 backlit operating buttons with fault alarm function
- Temperature control for cooling temperature
- Cooling unit consisting of:
 - Dry cooling block
 - Compressor
 - Condenser with fan and carbonator

- Pressure reducer for water and CO₂ incl. non-return valve
- Pump with dry-run protection
- Dripping water pan with level sensor and drain option for optional drain connection
- Power supply by a Schuko plug with mains cable 1.5 m long

The device is fitted with noise suppression and complies with the EMC directive.

All materials used in the SODA JET Office comply with Regulation 1935/2004 on materials and articles intended to come into contact with food.

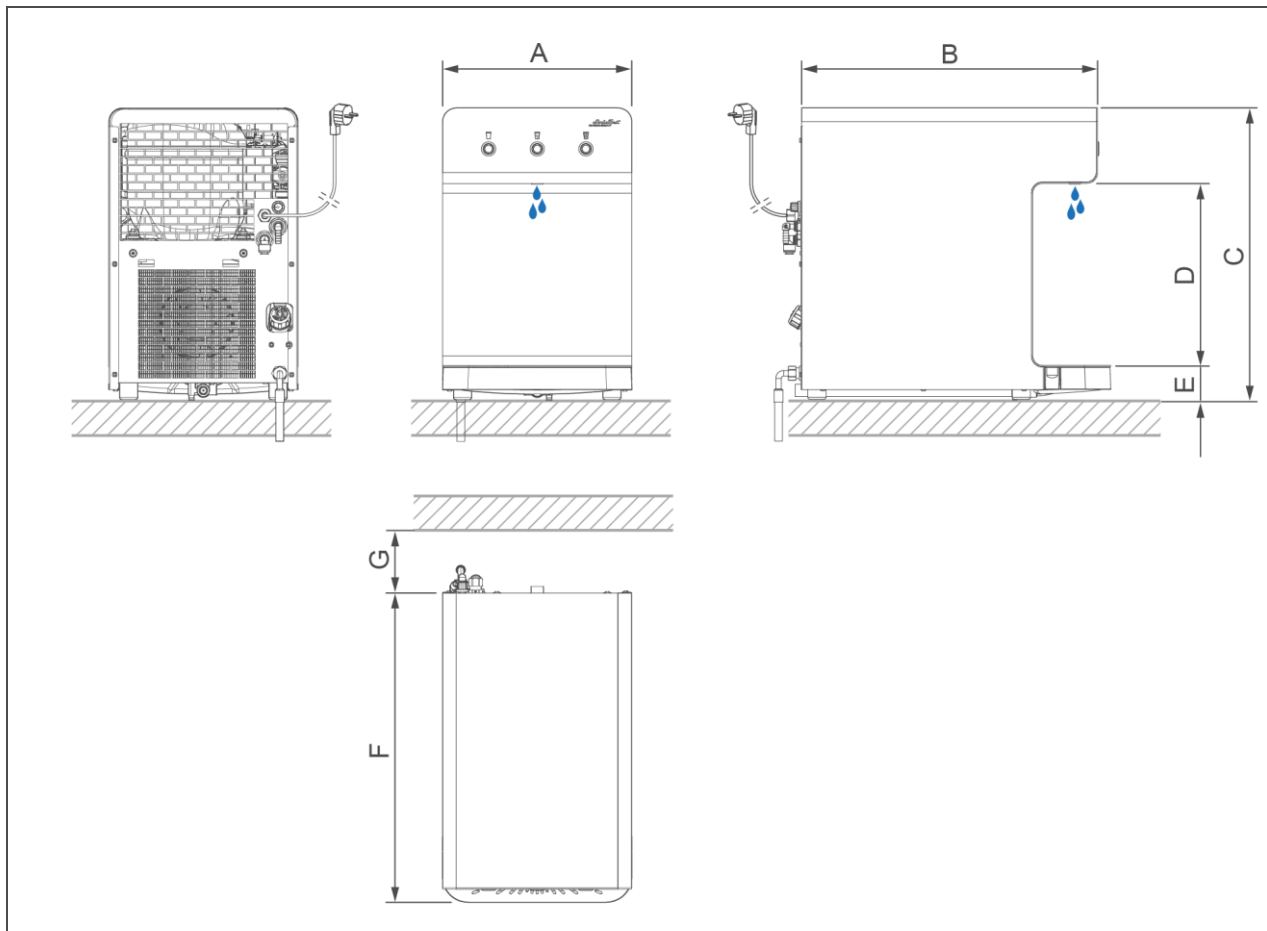
Scope of supply

- SODA JET Office ready for connection
- Connection hose for drinking water with 3/8" screw connections
- Drain connection with hose adaptor for dripping water pan and outlet hose approx. 1.5 m
- Documentation:
 - Operation manual
 - Operation log
 - Quick reference manual

With optional flushing unit:

- Flushing unit with flushing wastewater hose approx. 1.5 m long

Technical specifications I



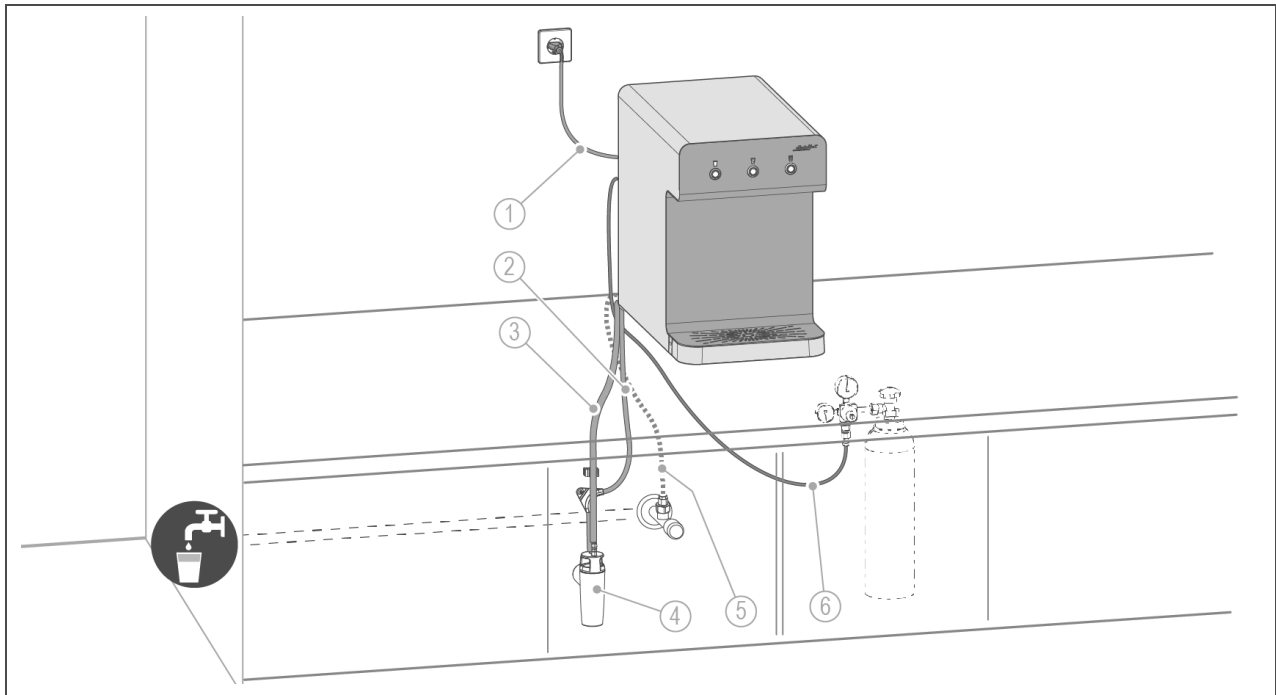
Dimensions and weights			
A	System width	mm	291
B	System depth	mm	455
C	System height	mm	450
D	Outlet height (clearance)	mm	~ 280
E	Height of dripping water pan	mm	50
F	Total system depth	mm	475
G	Distance to wall	mm	≥ 50
	Empty weight	kg	~ 32.5

Technical specifications II

Connection data		
Nominal connection diameter		DN 8
Connection hose (flexible stainless steel braided hose)	mm	1500
Cold water connection (to be provided by client)		Angle valve 3/8" male thread, flat seal
Drain connection		≥ DN 50
Rated voltage	V~	230
Rated frequency	Hz	50
Mains cable	mm	1500
Performance data		
Nominal pressure		PN 6
Operating pressure (recommended)	bar	2.5 – 7.1 (4.0)
Electrical power input idle mode	W	1.0
Power input during dispensing operation and cooling	W	≤ 370
Power input during dispensing mode and cooling	A	≤ 2
Nominal flow		
Dispense volumes: STILL/MEDIUM/CLASSIC	l/min	1.5/2.0/1.5
Carbon dioxide concentration CLASSIC, approx. *	g/l	6.5
Cooling data		
Cooling capacity	W	245
Dispensing capacity	l/h	≤ 90
Coolant (R 290, climatic category N)	g	60
CO ₂ compressed gas cylinder (external)		
CO ₂ cylinder with CO ₂ pressure reducer (on site)	bar	≤ 6
Operating data		
Water pressure reducer	bar	3.5
Water pressure switch	bar	0.2
Noise emission	dB(A)	~ 38
Disinfection		
Frequency (recommended minimum)	months	3
Disinfectant		SODA JET disinfection tablets
Amount of disinfectant per disinfection	tablets	1
General data		
Water conductivity	μS/cm	≥ 100
Water temperature	°C	≤ 30
Ambient temperature	°C	5 – 45
Humidity (non-condensing)	%	≤ 70
Order no. (standard)		156700000000
Order no. (with flushing unit)		156701000000

* Can vary due to the following parameters:
Water and ambient temperature, water pressure, setting of cooling unit and flow volumes.

Installation example



Item	Designation	Item	Designation
1	Mains cable with Schuko plug (approx. 1.5 m)	2	Flushing water hose from the flushing unit (optional)
3	Outlet hose from the dripping water pan (approx. 1.5 m)	4	Drain connection DN 50 acc. to DIN EN 1717
5	Connection hose DN 8 (flexible stainless steel braided hose 1.5 m) with 3/8" screw connection	6	Transparent connection hose (approx. 1.8 m) for external CO ₂ cylinder with CO ₂ pressure reducer (max. 6 bar)

Installation requirements

Observe local installation directives, general guidelines and technical specifications.

The installation site must be frost-proof and protect the product from chemicals, dyes, solvents and their vapours.

The quality of the incoming drinking water must comply with the valid Drinking Water Ordinance.

The drinking water must not contain any impurities and suspended solids.

A filter with a pore size of at least 100 µm must be installed in the supply network.

A Schuko socket is required for electrical installation.

A separate DN 50 drain connection is required for the SODA JET Office drinking water dispenser with flushing unit.

Operating instructions for handling compressed gas cylinders



The installation site must be suitable for the CO₂ gas cylinder used.

Alternatively, a monitored technical ventilation system must exist.

If this is not possible, a gas warning system for CO₂/lack of oxygen must be installed to protect the installation room.

In case of non-observance, there is a risk of asphyxiation due to carbon dioxide (CO₂) in the event of damage.

Accessories

Base cabinet SODA JET Office Order no. 156710000000

to hold the SODA JET Office drinking water dispenser and accommodate the CO₂ cylinder

Table feed-through water Order no. 156713000000

as a detachable connection on both sides for easy assembly above and below the tabletop for water inlet

Table feed-through water and CO₂ Order no. 156714000000

as a detachable connection on both sides for easy assembly above and below the tabletop for the water inlet and the CO₂ line

Line feed-through Order no. 156715000000

for diameter 80 mm in white, to cover the bore in the tabletop

CO₂ kit large Order no. 156711000000

for 6 kg and 10 kg CO₂ cylinders, incl. pressure reducer, CO₂ line, CO₂ connections

CO₂ kit small Order no. 156712000000

for 425 g CO₂ cylinder, incl. pressure reducer, CO₂ line (Ø 8 mm), container (Ø 100 x 395 mm) and stainless steel cover

Water filters clearliQ safe(+)

for the filtration of cold drinking water, are used at the withdrawal point (Point-Of-Use) directly on an angle valve

Hygiene filters clearliQ safe+ Order no. 156000060000

for the production of hygienic fresh water through the adsorption of bacteria

Filter module clearliQ safe Order no. 156000070000

as multi-layer filter for the production of pure water

Consumables

SODA JET Office disinfection kit Order no. 156000010000

for 2 applications

Hydrogen peroxide spray Order no. 156 868

Herlisil S6, for spray disinfection of the dispenser pipe

Specification CO₂ compressed gas cylinder

CO₂ cylinder with CO₂ pressure reducer (max. 6 bar)

You can order the CO₂ cylinder from your local SODA JET sales partner.

Using the accessories (CO₂ kit large and CO₂ kit small) all conventional CO₂ cylinders can be used.

Application	food-safe
Gas	CO ₂

Contact

Grünbeck Wasseraufbereitung GmbH
Josef-Grünbeck-Str. 1
89420 Hoehstaedt
GERMANY

+49 (0)9074 41-0

+49 (0)9074 41-100

info@gruenbeck.com
www.gruenbeck.com

