

### Safety device protectliQ:A

#### Intended use

The protectliQ safety device is a product to protect against water damage.

The protectliQ safety device featuring a water sensor protects rooms and equipment from water damage.

The use of a protectliQ safety device is recommended for installations in rooms with a high risk potential in the event of damage such as electric shock as well as high material damage to equipment.

The protectliQ safety device is intended for use in the cold and drinking water sector and suitable for water temperatures up to 30 °C.

#### Function

The connected water sensor permanently monitors critical locations in moist-prone rooms such as kitchens, bathrooms or laundry rooms, etc.

In case water collects on the floor, the water sensor responds and the protectliQ automatically closes the water supply.

In order to monitor an additional room, a second, wired water sensor can be connected.

The protectliQ is powered by means of batteries - independent of the mains supply.

The service life of the battery can be significantly extended by using an optional plug-in power supply unit.

The plug-in power supply unit is not absolutely necessary for the operation of the protectliQ.

The ball valve of the protectliQ can be operated by means of a hand lever at any time.

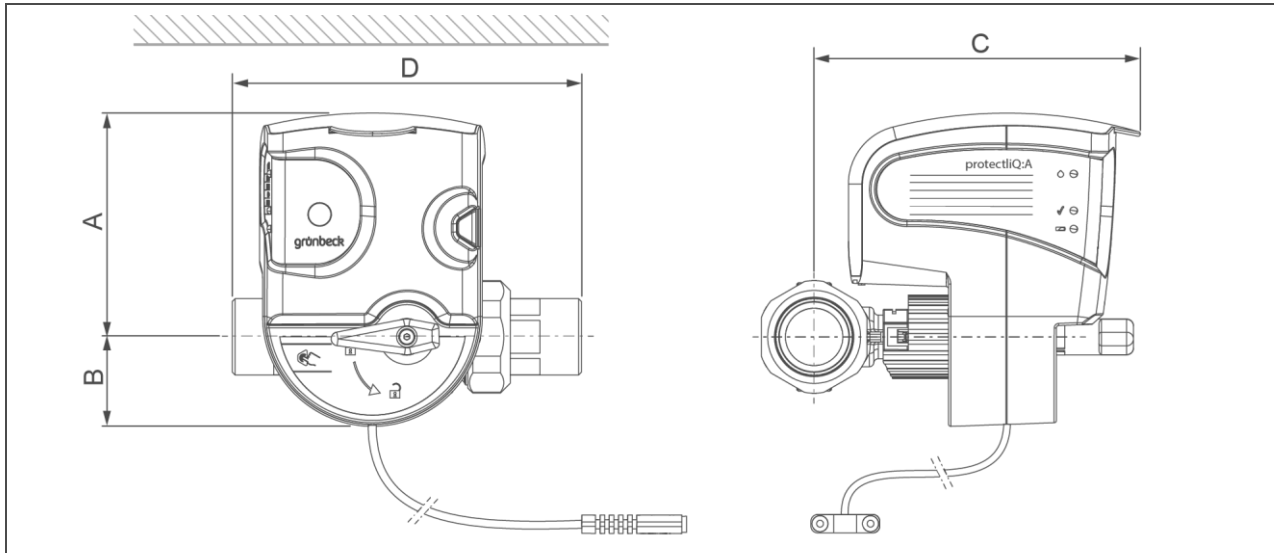
#### Design

- Ball valve (independent of flow direction) with water meter screw connections
- LED display for:
  - Leaks
  - Battery OK
  - Battery empty
- Water sensor (pre-assembled)
- Connection option for a second water sensor
- Plug-in power supply unit with Micro USB (optional)

#### Scope of supply

- Safety device
- Water meter screw connection
- Water sensor with 2 m cable
- 4x Mignon AA batteries (1.5 V)
- Quick manual

## Technical specifications I



Dimensions and weights		A20	A25	A32	A40
A	Height up to centre of connection [mm]		100		
E	Depth up to centre of connection [mm]		40		
C	Projection exceeding centre [mm]		143		
D	Installation length with/without screw connection [mm]	165/70	152/70	251/160	283/160
	Operating weight [kg]	~ 1.5	~ 1.5	~ 2.5	~ 3.0

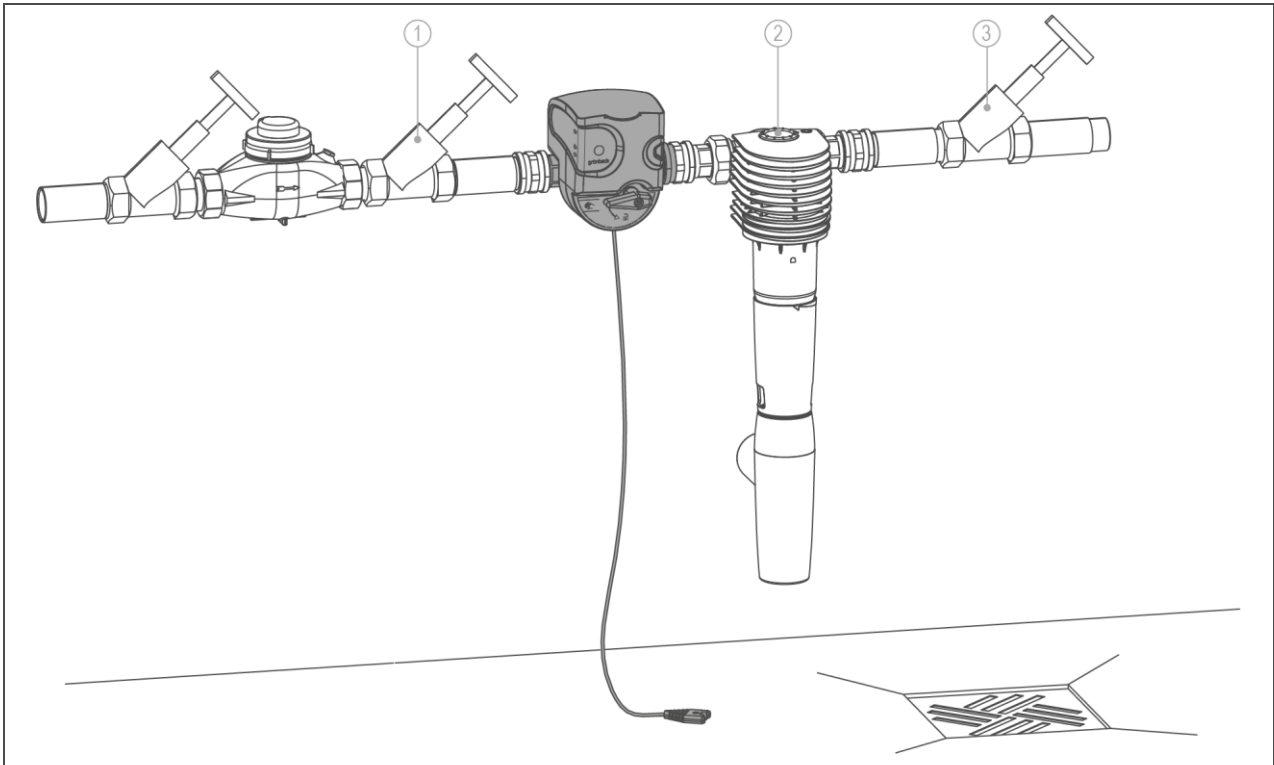
  

Connection data		A20	A25	A32	A40
	Nominal connection diameter	DN 20	DN 25	DN 32	DN 40
	Nominal pressure	PN 16			
	Nominal flow $Q_n$ [m <sup>3</sup> /h]	6.5	8	9	12
	Pressure loss at nominal flow [bar]	0.1	0.1	0.2	0.3
	Battery type of control unit	4x Mignon AA 1.5 V			
	Power supply of control unit (optional plug-in power supply unit) [VDC]	5			
	Power input of plug-in power supply unit [A]	≤ 1			
	Power supply (battery operation only) [VDC]	6			
	Power input (battery operation only) (when valve opens/closes) [A]	≤ 0.2			
	Protection/protection class	IP 42/□			

General data		A20	A25	A32	A40
	Conductivity of leaking water		at least 20 µS/cm		
	Water temperature [°C]		5 – 30		
	Ambient temperature [°C]		5 – 40		
	DVGW registration number		NW-6350CU0139		
	ÜA registration number		R-15.2.3-21-17496		
	Office of Vienna Provincial Government – City of Vienna				
<b>Order no.</b>		<b>126 400</b>	<b>126 405</b>	<b>126 410</b>	<b>126 415</b>

### Installation example I (battery operation)



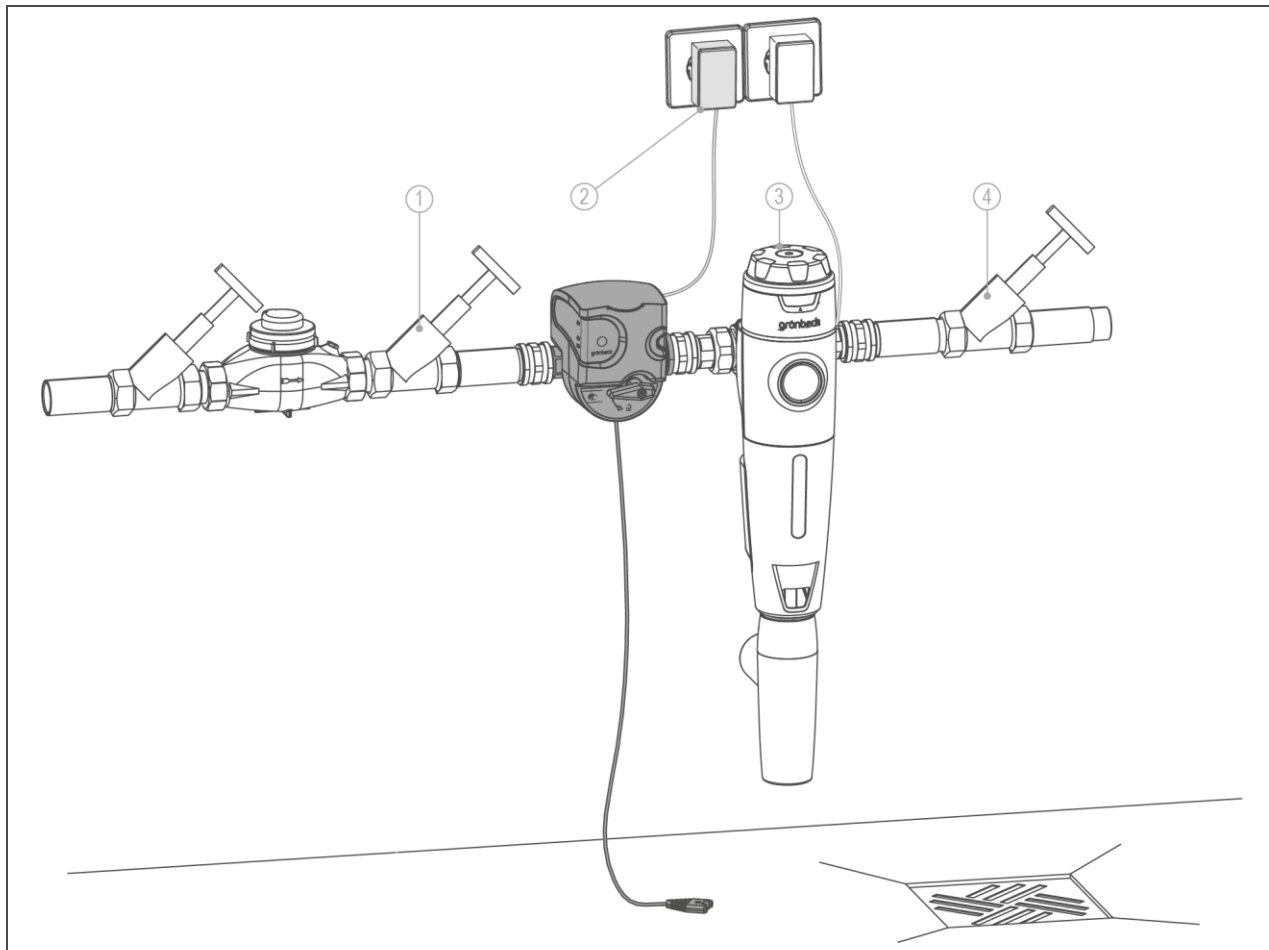
Item	Designation	Item	Designation
1	Inlet shut-off valve	2	Drinking water filter (e.g. BOXER RX)
3	Outlet shut-off valve		

### Installation requirements

Observe local installation directives, general guidelines and technical specifications.

The installation site must be frost-proof and ensure the product's protection from chemicals, dyes, solvents and their vapours.

## Installation example II (with plug-in power supply unit)



Item	Designation	Item	Designation
1	Inlet shut-off valve	2	Plug-in power supply unit (optional)
3	Automatic filter (e.g. pureliQ:AD)	4	Outlet shut-off valve

### Installation requirements

Observe local installation directives, general guidelines and technical specifications.

The installation site must be frost-proof and ensure the product's protection from chemicals, dyes, solvents and their vapours.

A shock-proof socket is required for electrical installation. The socket requires a permanent power supply.

### Accessories

#### Plug-in power supply unit Order no. 126 802

For 230 V Schuko socket with Micro USB and 1.5 m mains cable. The protectliQ can optionally be operated with a power supply unit. In this case, the power supply is provided by the plug-in power supply unit. The service life of the batteries is thus extended considerably.

#### Water sensor with 2 m cable Order no. 126 805

#### Water sensor with 10 m cable Order no. 126 815

A second water sensor with a cable length of up to 10 m can be connected.

### Consumables

#### Batteries Mignon AA, 1,5 V (1 piece) Order no. 93815605e

### Contact

Grünbeck Wasseraufbereitung GmbH  
Josef-Grünbeck-Str. 1  
89420 Hoechstaedt  
GERMANY

+49 9074 41-0

+49 9074 41-100

info@gruenbeck.com  
www.gruenbeck.com

