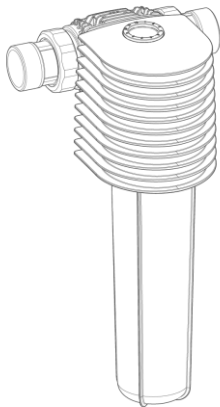


Product Data Sheet

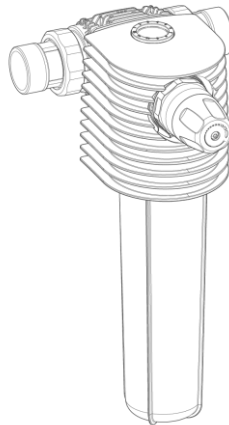
Fine filter BOXER KX 1½" – 2"

Fine filter BOXER KDX 1½" – 2"

KX 1½" – 2"



KDX 1½" – 2"



Fine filter BOXER KX 1½" – 2" BOXER KDX 1½" – 2"

Intended use

The fine filters BOXER KX and BOXER KDX are designed for filtering drinking water.

The fine filter BOXER KDX with pressure reducer, in addition, is suitable for the adjustment of the outlet pressure on the withdrawal side in order to maintain the max. admissible operating pressure stipulated in DIN EN 806-2.

The filters can be used for positive and negative pressure applications. The adjustment of the outlet pressure on the withdrawal side, however, only works when applied in the positive pressure range.

The filters are not suitable for circulation water that has been treated with chemicals.

They are neither suitable for oils, greases, solvents, soaps and other lubricating media, nor for the separation of water-soluble substances.

The filters are designed according to the stipulations of DIN EN 13443-1 and DIN 19628 and are intended for installation into drinking water pipes according to DIN EN 806-2 (installation immediately downstream of the water meter).

They protect the water pipes and connected water-carrying system parts from disturbances and corrosion damage due to undissolved impurities (particles) such as rust particles, sand, etc.

Function

The unfiltered drinking water flows into the filter through the inlet side and from the outside in through the filter element and to the pure water outlet. Thus, foreign particles of > 100 µm in size are retained.

According to DIN EN 806-2, the filter element must be replaced every 6 months at the latest.

Depending on their size and weight, the foreign particles either stick to the filter element, or they fall straight down into the filter cylinder.

By means of the flow-optimised pressure reducer of the fine filter BOXER KDX, which is designed according to DIN EN 1567, the outlet pressure on the withdrawal side can in addition be set to 1 – 6 bar (factory setting: 4 bar).

Design

- Pre-assembled, rotatable connection flange made of plastic, including water meter screw connections made of dezincification-resistant brass, with seals and stainless steel screws
- Filter head with pressure gauge and maintenance ring to set the next maintenance date (replacement of filter element)

- BOXER KDX additionally with pressure reducer and pressure gauge integrated in the filter head
- Support mesh made of plastic with filter spring made of stainless steel
- Replaceable filter element made of polyester fabric (pore size 100 µm).
- Transparent blue filter cylinder that can be tightened by hand
- All water-contacting parts comply with the German Drinking Water Ordinance. Test regulations: KTW, DVGW W 270, DIN 50930-6
- All materials are recyclable

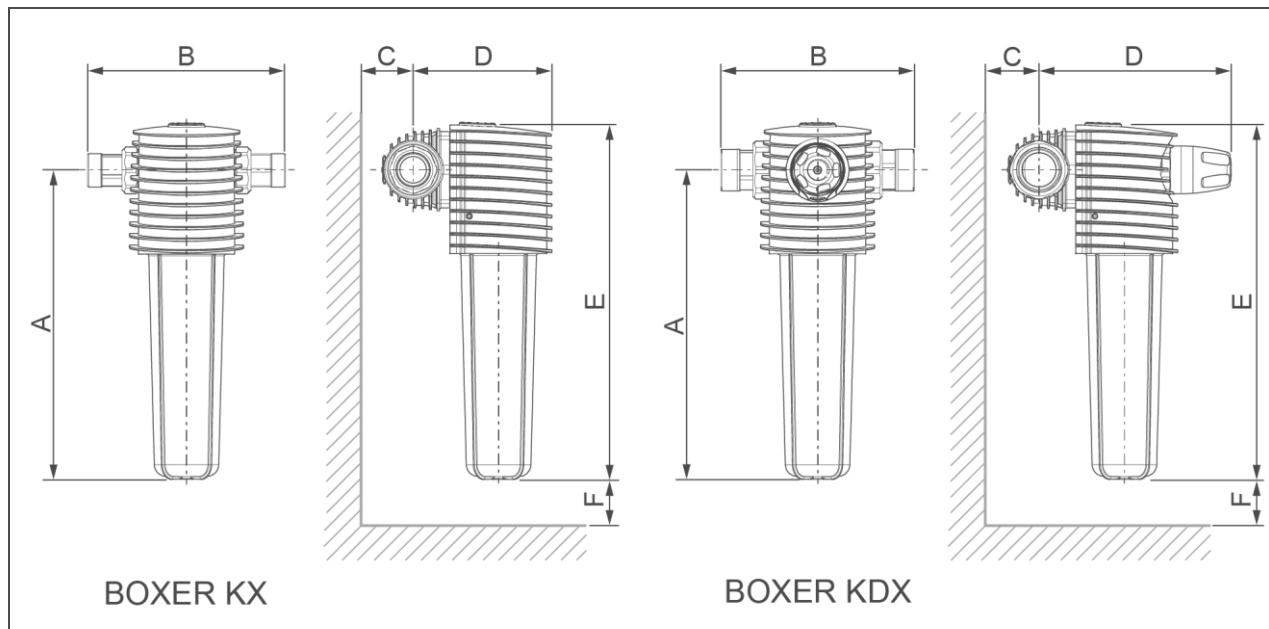
Scope of supply

- Fine filter with connection flange
- Water meter screw connection
- Seals
- 100 µm filter element
- Pressure gauge
- Quick reference manual

Additionally for **BOXER KDX**

- Pressure reducer cartridge

Technical specifications I



Dimensions and weights		KX 1½"	KX 2"	KDX 1½"	KDX 2"
A	Height up to centre of connection	mm	441		
B	Installation length with/without screw connection	mm	283/160	277/160	283/160 277/160
C	Distance to wall	mm	≥ 90		
D	Installation depth up to centre of connection	mm	200	200	274 274
E	Total height	mm	509		
F	Height required for replacement of filter cartridge	mm	> 390		
	Empty weight, approx.	kg	4.80	5.15	5.50 5.85
	Order no.		101845000000	101885000000	101890000000 101895000000

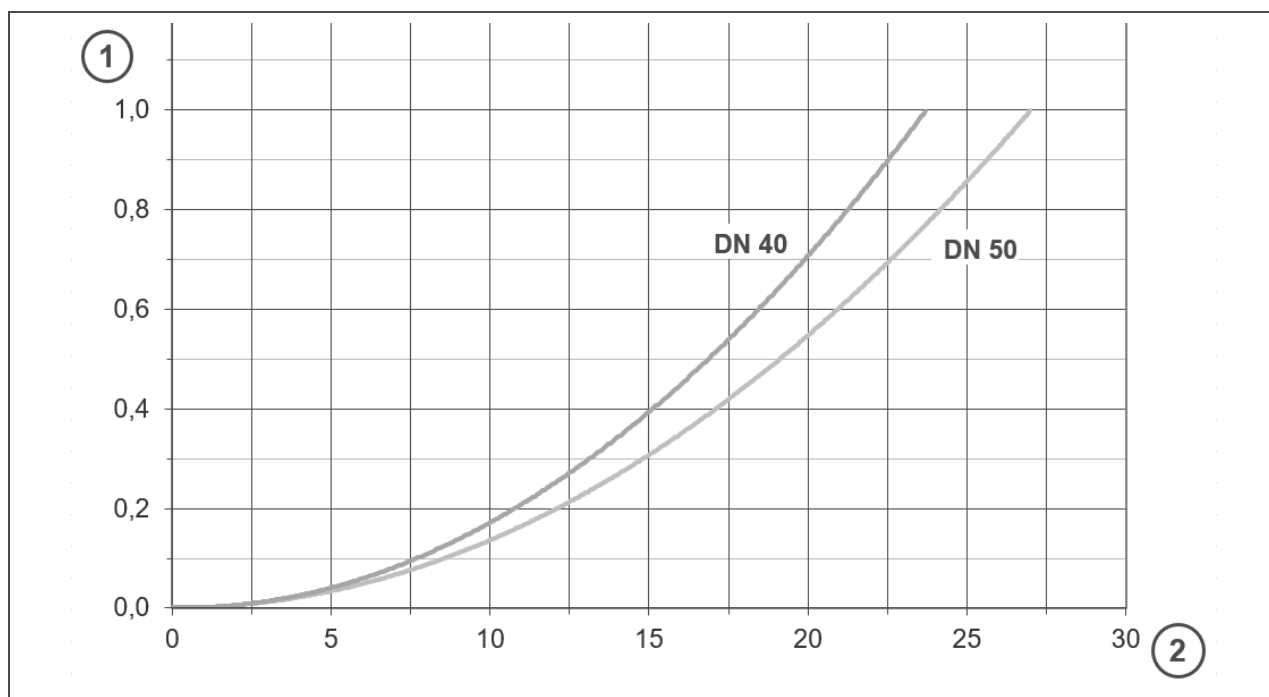
Technical specifications II

Connection data	KX 1½"	KX 2"	KDX 1½"	KDX 2"
Nominal connection diameter	DN 40	DN 50	DN 40	DN 50
Connection diameter	1½"	2"	1½"	2"

Performance data		KX 1½"	KX 2"	KDX 1½"	KDX 2"
Nominal flow at Δp 0.2 (0.5) bar	m³/h	10.6 (17.0)	12.0 (19.2)	-	-
Flow rate as per DIN EN 1567	m³/h	-	-	9.1	14.0
K _V value	m³/h	23.7	27.0	-	-
Pore size	µm	100			
Largest/smallest pore size	µm	120/80			
Operating pressure	bar	2 – 16			
Nominal pressure		PN 16			

General data		KX 1½"	KX 2"	KDX 1½"	KDX 2"
Water temperature	°C	5 – 30			
Ambient temperature	°C	5 – 40			
DVGW registration number		NW-9301DL0162		NW-9311DL0167	
ÜA registration number		R-15.2.3-21-17496			
Office of the Vienna Provincial Government – City of Vienna					
Order no.		101845000000	101885000000	101890000000	101895000000

Pressure loss curves BOXER KX

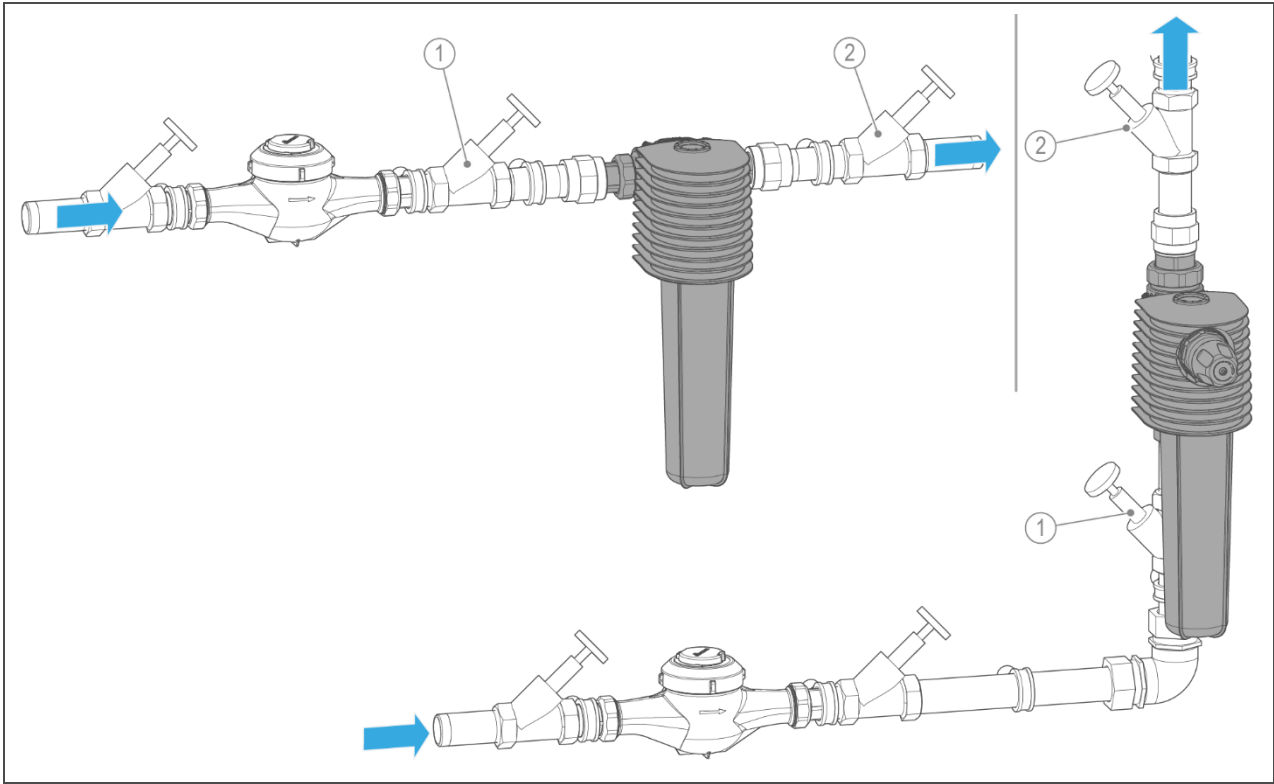


Item	Designation	Item	Designation
1	Pressure loss in bar	2	Flow rate in m³/h

Product Data Sheet

Fine filter BOXER KX 1½" – 2"
 Fine filter BOXER KDX 1½" – 2"

Installation example



Item	Designation	Item	Designation
1	Shut-off valve (inlet)	2	Shut-off valve (outlet)

Installation requirements

Obey the local installation directives, general guidelines and technical specifications.

The installation site must be frost-proof and ensure the filter's protection from chemicals, dyes, solvents and their vapours as well as from direct sunlight.

The installation site must be easily accessible for maintenance purposes.

Accessories/consumables

According to DIN EN 13443-1 filter elements with 5 µm, 20 µm and 50 µm are not admissible for the drinking water systems.

2x each included in scope of supply.

Tested according to DVGW

10300010001
100 µm filter element

Not tested according to DVGW

for trade and industry
103 070 50 µm filter element
103 083 5 µm filter element

Contact

Grünbeck Wasseraufbereitung GmbH
 Josef-Grünbeck-Str. 1
 89420 Hoehstaedt
 GERMANY

☎ +49 9074 41-0

☎ +49 9074 41-100

info@gruenbeck.com
 www.gruenbeck.com

