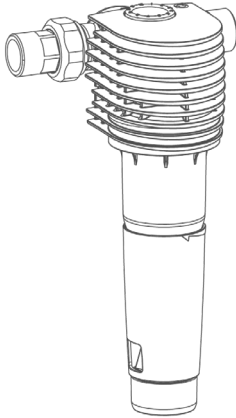


## • Product data sheet

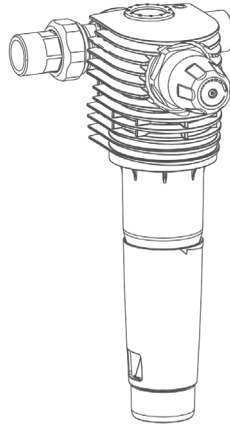
Backwash filter BOXER RX ¾", 1", 1¼"

Backwash filter BOXER RDX ¾", 1", 1¼"

RX



RDX



### Backwash filters BOXER RX ¾", 1", 1¼" BOXER RDX ¾", 1", 1¼"

#### Intended use

The backwash filters BOXER RX and BOXER RDX are designed for filtering drinking water.

The backwash BOXER RDX with pressure reducer in addition is suitable for the adjustment of the outlet pressure on the withdrawal side in order to maintain the max. admissible operating pressure stipulated in DIN EN 806-2.

The filters can be used for positive and negative pressure applications. The adjustment of the outlet pressure on the withdrawal side, however, only works when applied in the positive pressure range.

The filters are not suitable for circulation water that has been treated with chemicals.

They are neither suitable for oils, greases, solvents, soaps and other lubricating media, nor for the separation of water-soluble substances.

The backwash filters BOXER RX and BOXER RDX are designed according to the stipulations of DIN EN 13443-1 and DIN 19628 and are intended for installation into drinking water pipes according to DIN EN 806-2 (installation directly downstream of the water meter).

They protect the water pipes and connected water-carrying system parts from disturbances and corrosion damage due to undissolved impurities (particles), such as rust particles, sand, etc.

#### Function

The unfiltered drinking water flows into the filter from the inlet side and then from the outside in through the filter element and to the pure water outlet. Thus, foreign particles of > 100 µm in size are retained.

Depending on their size and weight, the foreign particles either stick to the filter element or they fall straight down into the filter cylinder.

The drain is opened by turning the backwash handwheel as far as it will go, and backwashing is carried out. The water flows through the primary screen to the filter element and then flows through the filter element in reverse direction of standard filtration. Particles sticking to the filter element are detached and washed out to the drain.

We recommend performing a backwash every two months.

In the backwash filter BOXER RDX with pressure reducer, the flow-optimised pressure reducer, which is designed according to DIN EN 1567, enables the outlet pressure on the withdrawal side to be set to 1 – 6 bar (factory setting: 4 bar).

#### Structure

- Connection flange incl. water meter screw connections (made of dezincification-resistant brass) with seals and stainless steel screws.
- Filter element made of stainless steel mesh.
- Maintenance ring for setting the next maintenance date (backwash).
- Ergonomic handwheel for easier backwash triggering.
- Transparent blue filter cylinder can be screwed by hand.
- Drain connection DN 50 according to DIN EN 1717 for connection to the drain pipe with integrated outlet.
- In order to set and indicate the outlet pressure on the outlet side, a pressure reducer with pressure gauge is integrated in the filter head of the BOXER RDX.
- All water contacting parts comply with the German Drinking Water Ordinance. Test regulations: KTW, DVGW W 270, DIN 50930-6.
- All materials are recyclable.

#### Scope of supply

- Backwash filter with connection flange
- Water meter screw connection
- Seals
- Quick reference manual

Only **backwash filter BOXER RDX:**

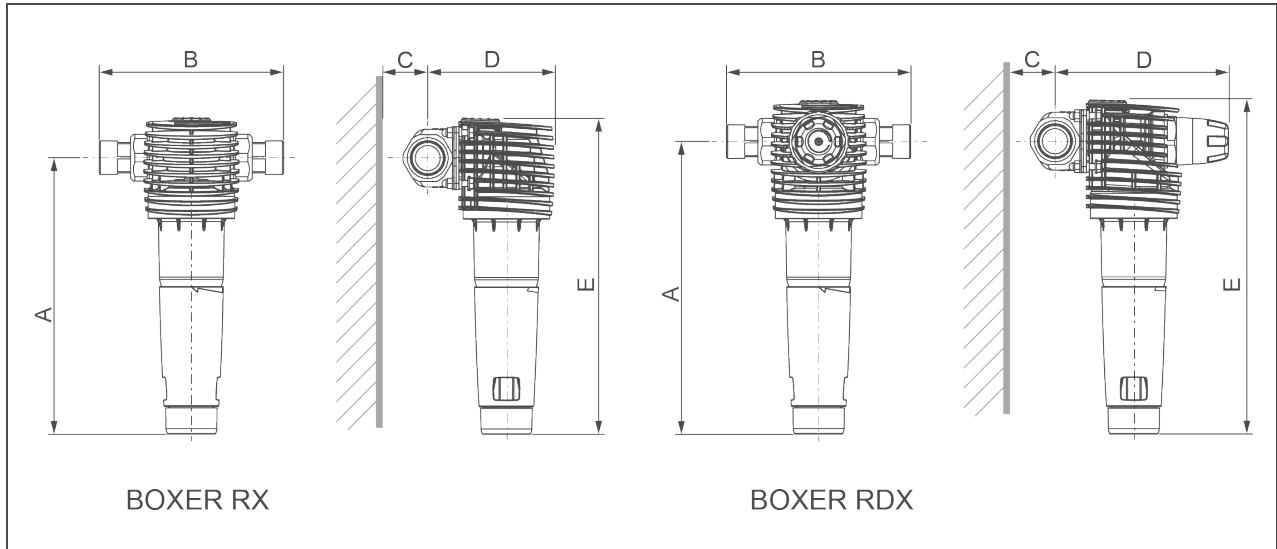
- Pressure reducer cartridge
- Pressure gauge

• **Product data sheet**

Backwash filter BOXER RX ¾", 1", 1¼"

Backwash filter BOXER RDX ¾", 1", 1¼"

**Technical specifications I**



Dimensions and weights			BOXER RX			BOXER RDX		
			RX ¾"	RX 1"	RX 1¼"	RDX ¾"	RDX 1"	RDX 1¼"
Nominal connection diameter		DN 20	DN 25	DN 32	DN 20	DN 25	DN 32	
Connection diameter		¾"	1"	1¼"	¾"	1"	1¼"	
A	Height up to centre of connection	mm	270			290		
B	Installation length with/without screw connection	mm	185/100	182/100	191/100	185/100	182/100	191/100
C	Distance to wall	mm	≥ 60					
D	Installation depth up to centre of connection	mm	115	120	125	160	165	170
E	Total height	mm	310			330		
	Empty weight	kg	1.7	1.9	2.2	2.0	2.2	2.5

• Product data sheet

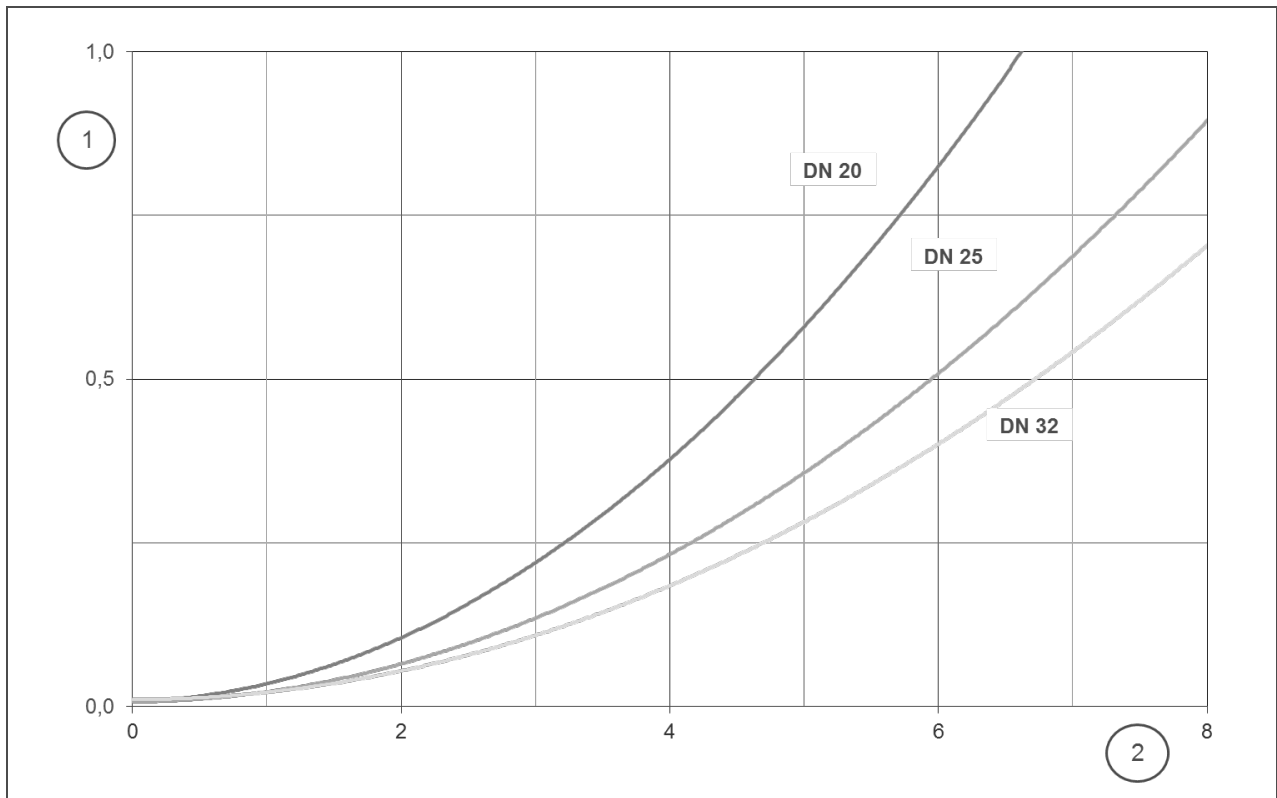
Backwash filter BOXER RX ¾", 1", 1¼"  
 Backwash filter BOXER RDX ¾", 1", 1¼"

**Technical specifications II**

Performance data		RX ¾"	RX 1"	RX 1¼"	RDX ¾"	RDX 1"	RDX 1¼"
Nominal flow at Δp 0.2 (0.5) bar	m³/h	2.9 (4.7)	3.8 (5.9)	4.2 (6.7)	-	-	-
Flow rate as per DIN EN 1567	m³/h	-	-	-	2.3	3.6	5.8
K <sub>V</sub> value	m³/h	6.7	8.4	9.6	-	-	-
Pore size	µm	100					
Largest/smallest pore size	µm	120/80					
Operating pressure	bar	2 – 16					
Nominal pressure		PN 16					

General		RX ¾"	RX 1"	RX 1¼"	RDX ¾"	RDX 1"	RDX 1¼"
Backwash water volume at 4 bar inlet pressure	l	~ 4					
Water temperature	°C	5 – 30					
Ambient temperature	°C	5 – 40					
DVGW registration number		NW-9301DL0161			NW-9311DL0166		
ÜA registration number <i>The Office of the Vienna Provincial Government – City of Vienna</i>		R-15.2.3-21-17496					
<b>Order no.</b>		<b>101 510</b>	<b>101 515</b>	<b>101 520</b>	<b>101 525</b>	<b>101 530</b>	<b>101 535</b>

**Pressure loss curves BOXER RX**

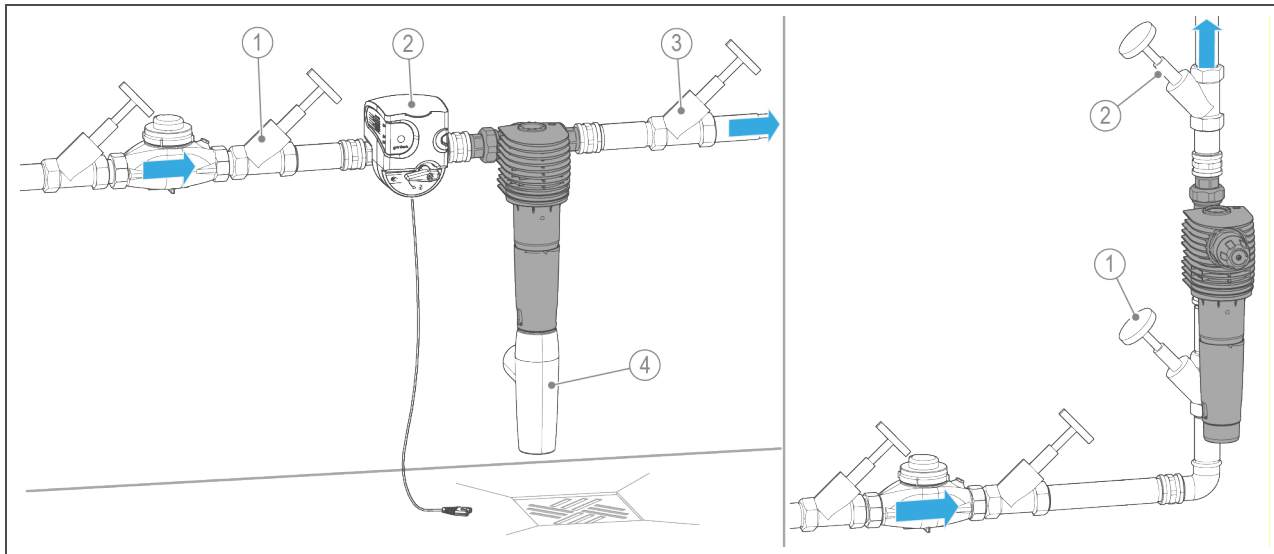


Item	Designation	Item	Designation
1	Pressure loss in bar	2	Flow rate in m³/h

**Product data sheet**

Backwash filter BOXER RX 3/4", 1", 1 1/4"  
 Backwash filter BOXER RDX 3/4", 1", 1 1/4"

**Installation example**



Item	Designation	Item	Designation
1	Shut-off valve (inlet)	2	Safety device protectliQ
3	Shut-off valve (outlet)	4	Drain connection DN 50 incl. siphon acc. to DIN EN 1717

**Installation requirements**

Obey the local installation directives, general guidelines and technical specifications.

The installation site must be frost-proof and ensure the filter's protection from chemicals, dyes, solvents and their vapours as well as from direct sunlight.

The installation site must be well accessible for maintenance purposes.

The installation room must have a floor drain. If no floor drain is available, an appropriate safety device has to be installed in order to prevent water damage. We recommend using a protectliQ:A.

**Accessories**

**Drain connection DN 50, Order no. 188 875**

Drain connection according to DIN EN 1717 with integrated siphon for discharging the backwash water into the drain.

**Contact**

Grünbeck Wasseraufbereitung GmbH  
 Josef-Grünbeck-Str. 1  
 89420 Hoehstaedt  
 Germany

+49 9074 41-0

+49 9074 41-100

info@gruenbeck.com  
 www.gruenbeck.com

